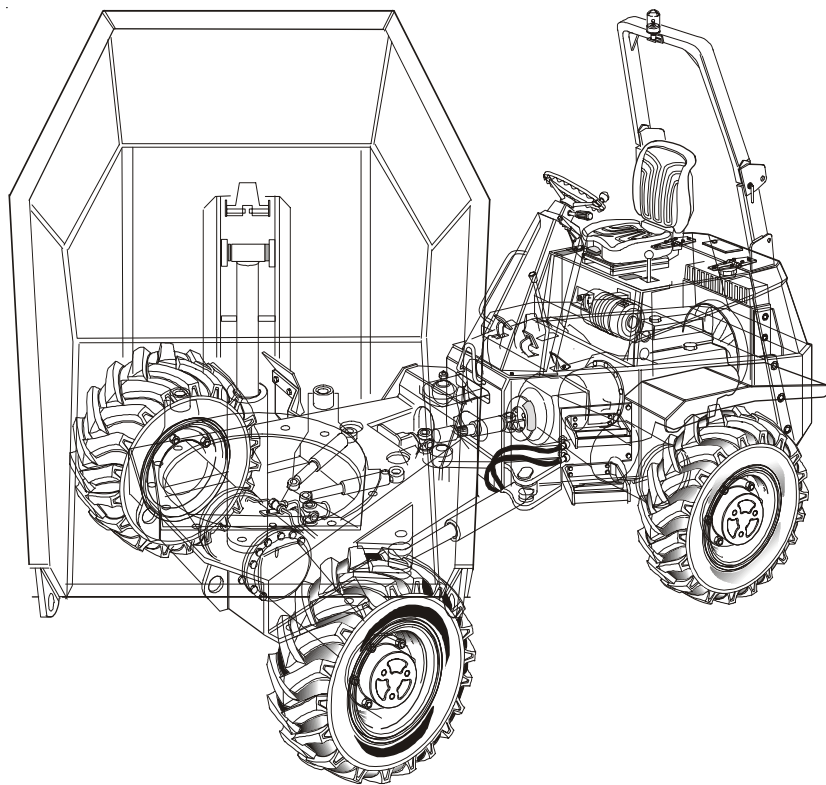


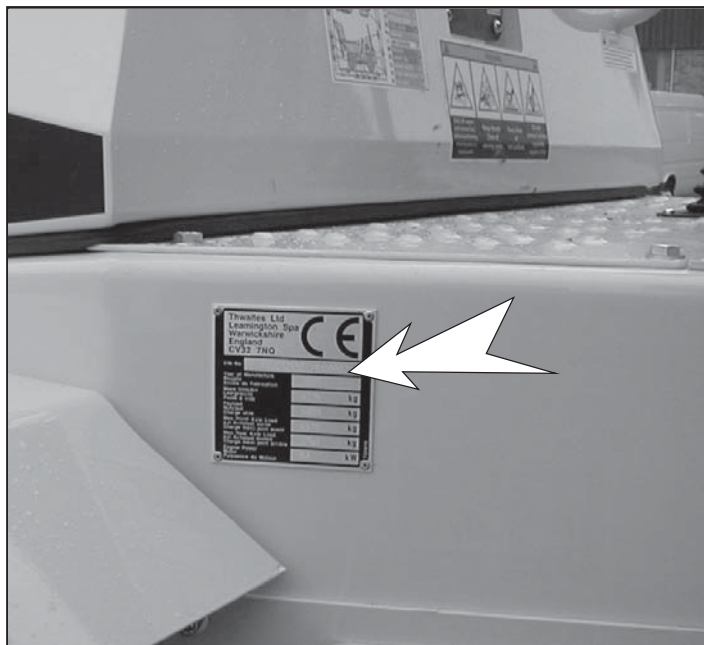
Thwaites**344 - 4.5 TONNE POWERSWIVEL****allparts****Thwaites**
allparts

Thwaites Ltd
Leamington Spa
Warwickshire
CV32 7NQ
Tel +44 (0)1926 422471
Fax +44 (0)1926 450458
www.thwaitesdumpers.co.uk

FROM VIN No. A4202**DATED** 19th MARCH 2004**VIN No.** A _____**ENGINE BUILD No.** 4TNV84T-XWA**PAYLOAD** 4.5 TONNE**SKIP** POWERSWIVEL**TRANSMISSION** HYDROSTATIC**TYPE** MACH 344**PREFIX No.** 06

VEHICLE IDENTIFICATION NUMBER - (VIN)

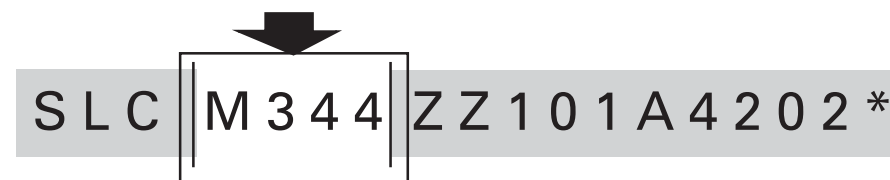
Thwaites have now adopted the international identification system known as VEHICLE IDENTIFICATION NUMBER normally referred to as VIN.



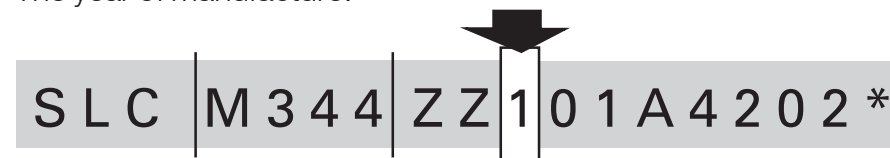
The VIN number incorporates a number of security features and also the machine model and individual serial number.

Important note: *Do not use this parts manual to order replacement spares if the prefix level of your machine is higher than the number quoted at the front of this parts manual.*

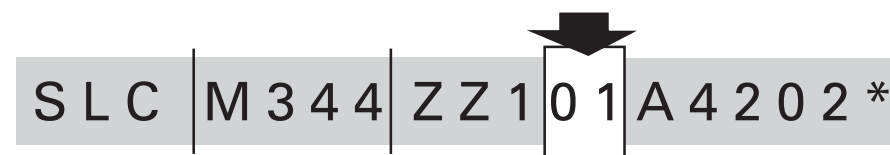
When ordering replacement spares it is important that the model or MACH number is used to identify the correct parts manual.



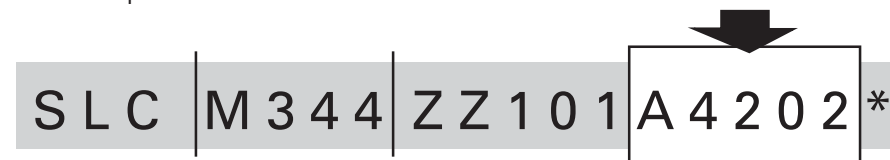
The year of manufacture:



The Machine Parts Manual issue level denoted by the two digit Prefix Number:

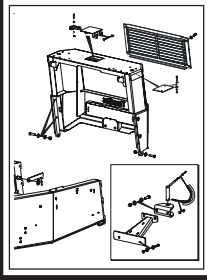


The unique machine serial number:



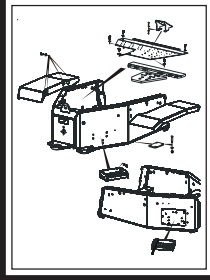
Please ensure that these numbers are quoted in all correspondence with your Thwaites distributor.

REAR COVER ASSEMBLY



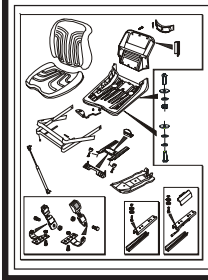
PAGE 1 & 2

REAR CHASSIS ASSEMBLY



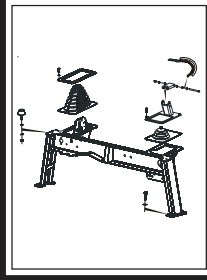
PAGE 3

SEAT ASSEMBLY



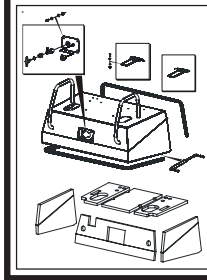
PAGE 4

CONTROL MTG BRACE ASSY



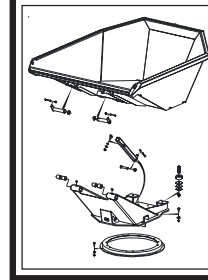
PAGE 5

ENGINE COVER ASSEMBLY



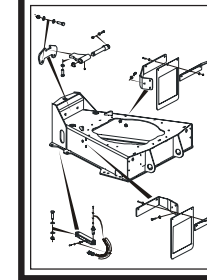
PAGE 6

SKIP & SUB CHASSIS



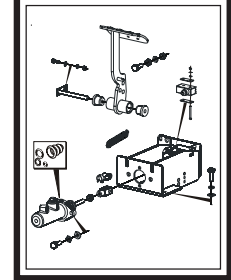
PAGE 7

FRONT CHASSIS ASSEMBLY



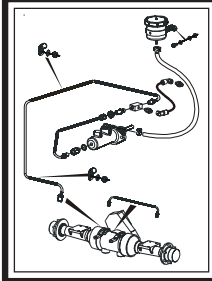
PAGE 8

BRAKE PEDAL ASSEMBLY



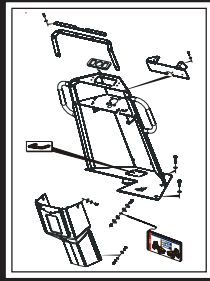
PAGE 9

BRAKE CIRCUIT HYDROSTATIC



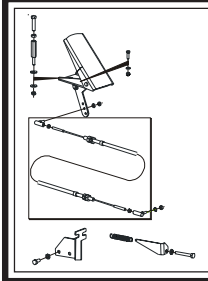
PAGE 10

LEG GUARD ASSEMBLY



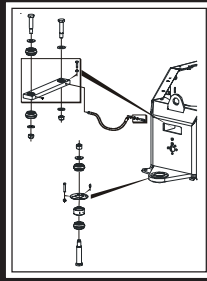
PAGE 11

THROTTLE ASSEMBLY



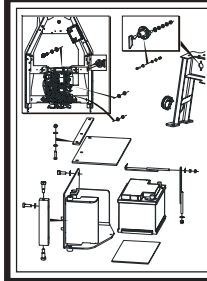
PAGE 12

KINGLINK ASSEMBLY



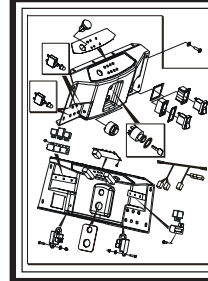
PAGE 13

BATTERY BOX ASSEMBLY



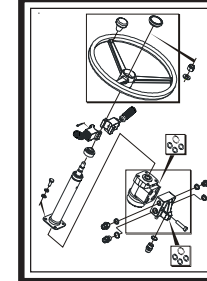
PAGE 14

DASH PANEL ASSEMBLY



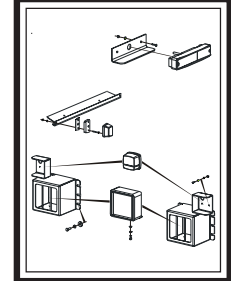
PAGE 15

STEERING ASSEMBLY



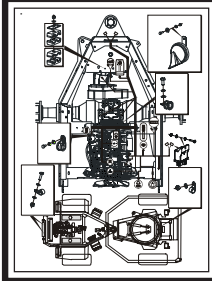
PAGE 16

FRONT & REAR LIGHT ASSY.



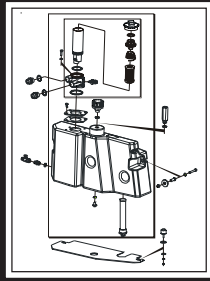
PAGE 17

ENGINE & LIGHT HARNESS



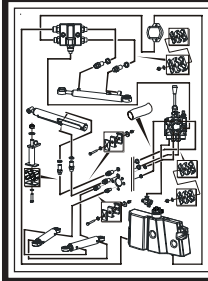
PAGE 18

HYD. TANK ASSEMBLY



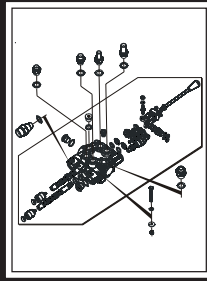
PAGE 19 & 20

HYD. CIRCUIT CONTROLS



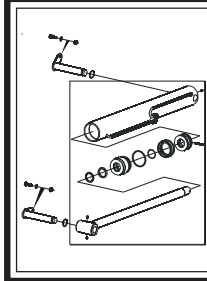
PAGE 21 & 22

TIPPING VALVE ASSEMBLY



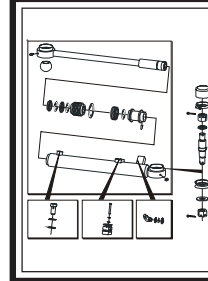
PAGE 23 & 24

TIPPING RAM ASSEMBLY



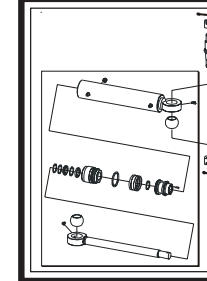
PAGE 25

STEERING RAM ASSEMBLY



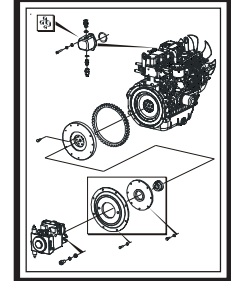
PAGE 26

SLEW RAM ASSEMBLY



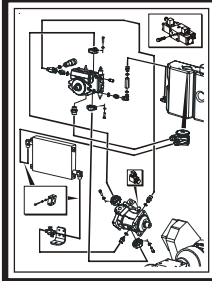
PAGE 27

TRANS. DRIVE & HYD. PUMP



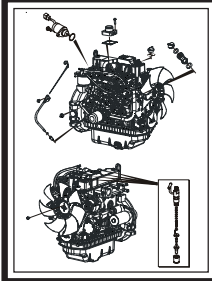
PAGE 28

ENGINE ACCESSORIES



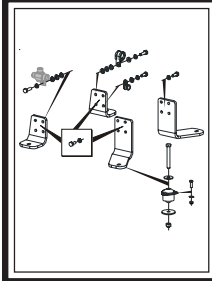
PAGE 29 & 30

ENGINE ACCESSORIES



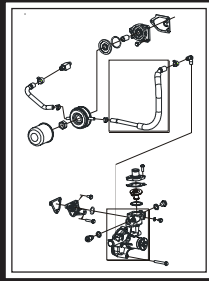
PAGE 31

ENGINE MOUNTINGS



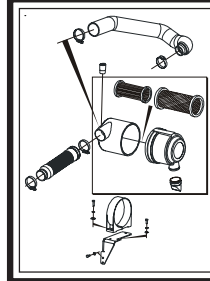
PAGE 32

ENGINE OIL COOLER



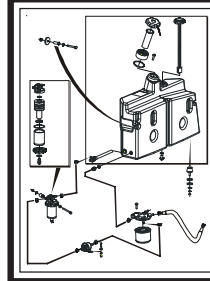
PAGE 33

AIR CLEANER ASSEMBLY



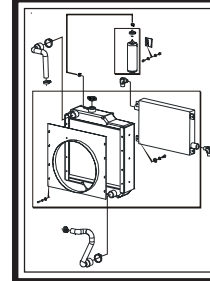
PAGE 34

FUEL TANK ASSEMBLY



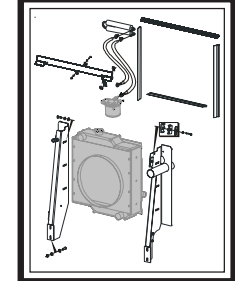
PAGE 35 & 36

RADIATOR & OIL COOLER



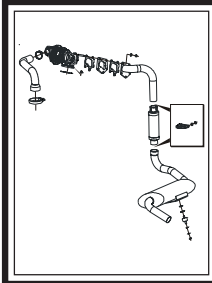
PAGE 37

RAD. FIXINGS & FUEL COOLER



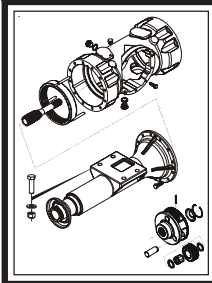
PAGE 38

EXHAUST SYSTEM



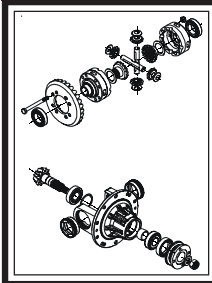
PAGE 39

FRONT AXLE - MAIN CASE



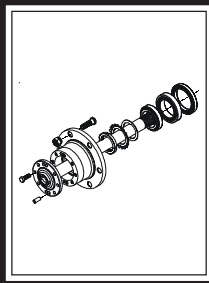
PAGE 40

FRONT AXLE - DIFF ASSEMBLY



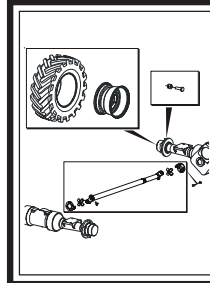
PAGE 41

FRONT AXLE - HUB & ARM



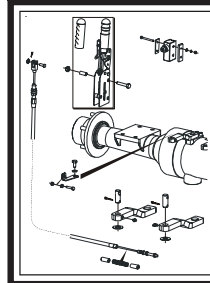
PAGE 42

PROPSHAFT & WHEEL ASSY.



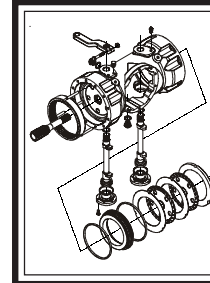
PAGE 43

HANDBRAKE ASSEMBLY



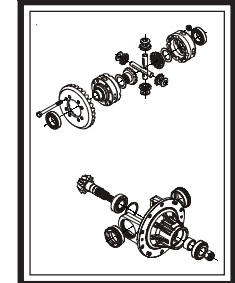
PAGE 44

REAR AXLE - MAIN CASE



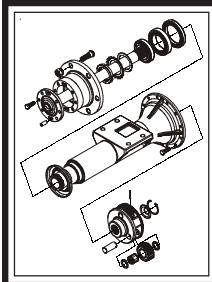
PAGE 45

REAR AXLE - DIFF. ASSEMBLY



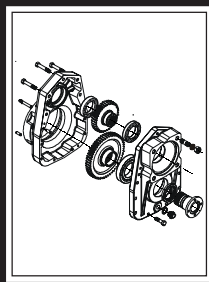
PAGE 46

REAR AXLE - HUB & ARM



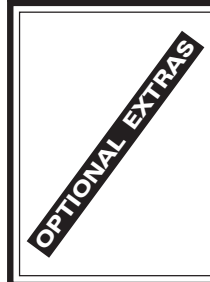
PAGE 47

REAR AXLE - TRANSFER BOX



PAGE 48

OPTIONAL EXTRAS



PAGE 49

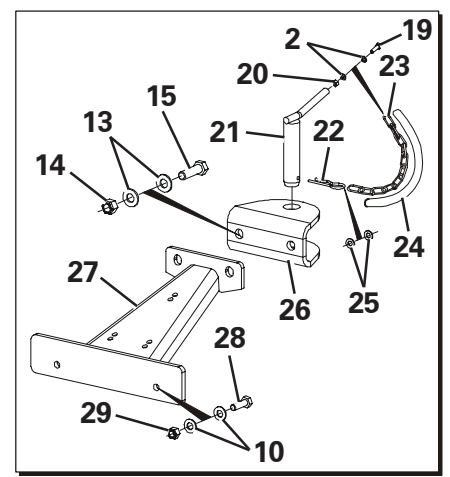
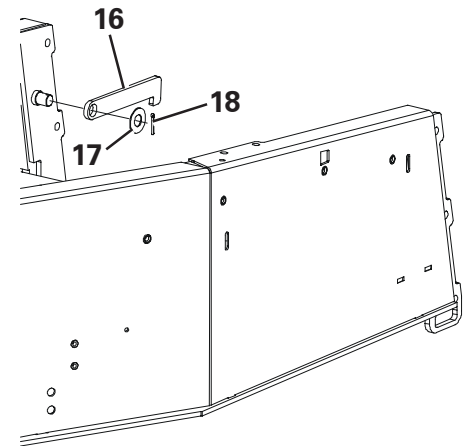
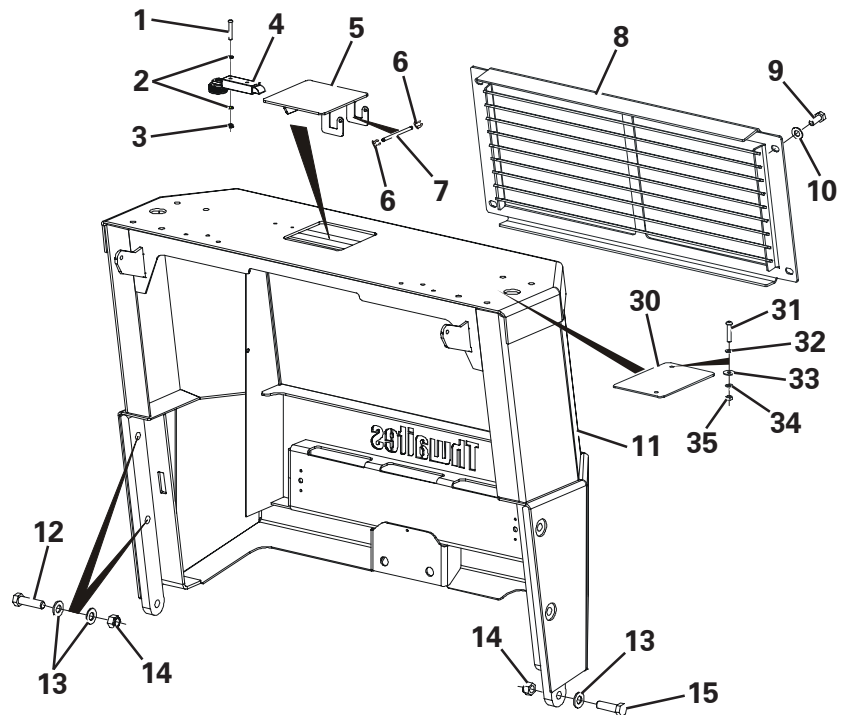
MODIFICATIONS & ADDITIONS



PAGE 50, 51, 52,
53 & 54

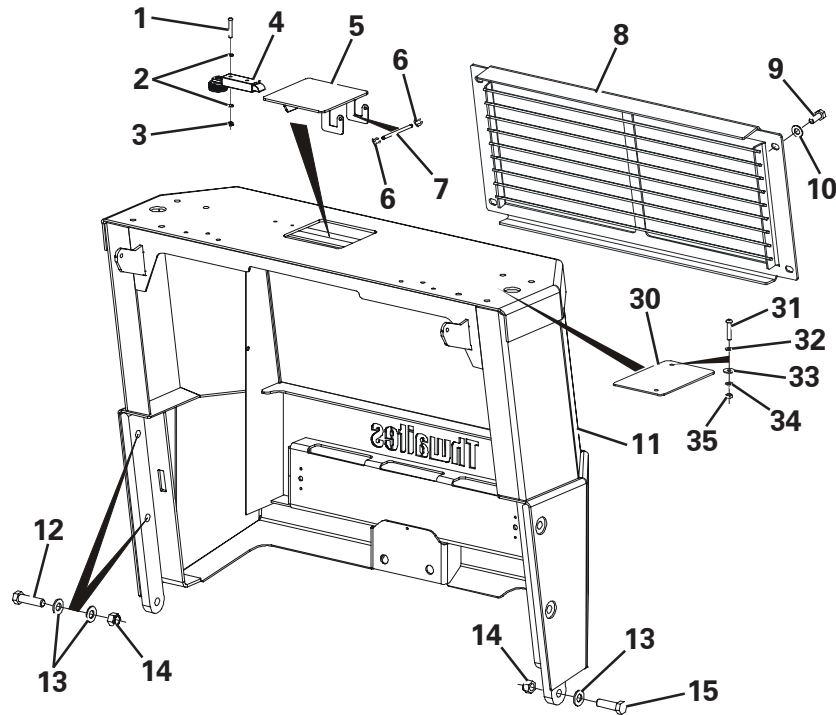
REAR COVER ASSEMBLY

| Item | Part No. | Description | Qty | U/M |
|------|----------|------------------------|------|-----|
| 1 | T18162 | SOCKET DOME HEAD SCREW | 2.0 | EA |
| 2 | T13911 | WASHER | 6.0 | EA |
| 3 | T16481 | NYLOC NUT | 2.0 | EA |
| 4 | T100631 | SLAMBOLT | 1.0 | EA |
| 5 | T100306 | RADIATOR COVER | 1.0 | EA |
| 6 | T100329 | RETAINING CLIP | 2.0 | EA |
| 7 | T100327 | HINGE PIN | 1.0 | EA |
| 8 | T101951 | REAR GRILL | 1.0 | EA |
| 9 | T14077 | SET SCREW | 4.0 | EA |
| 10 | T14748 | HEAVY DUTY WASHER | 8.0 | EA |
| 11 | T101790 | REAR COVER | 1.0 | EA |
| 12 | T15571 | BOLT | 4.0 | EA |
| 13 | T100867 | WASHER | 14.0 | EA |
| 14 | T14910 | NUT | 8.0 | EA |
| 15 | T11315 | BOLT | 4.0 | EA |
| 16 | T100466 | STRAP RETAINER | 1.0 | EA |
| 17 | T6768 | WASHER | 1.0 | EA |
| 18 | T6751 | SPLIT PIN | 1.0 | EA |



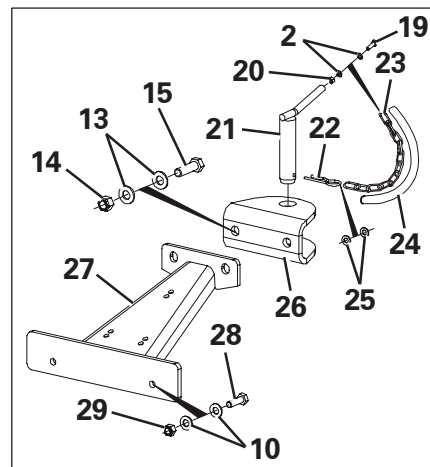
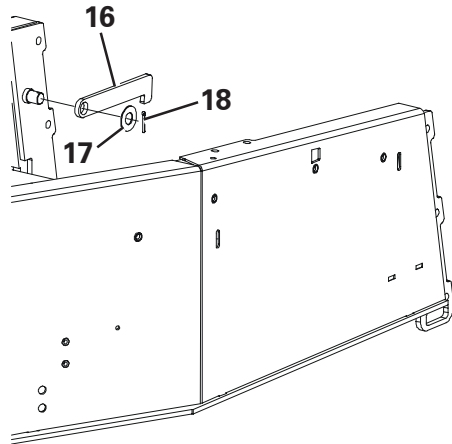
Rear Cover Assembly - Hydrostatic - Tier 2

REAR COVER ASSEMBLY

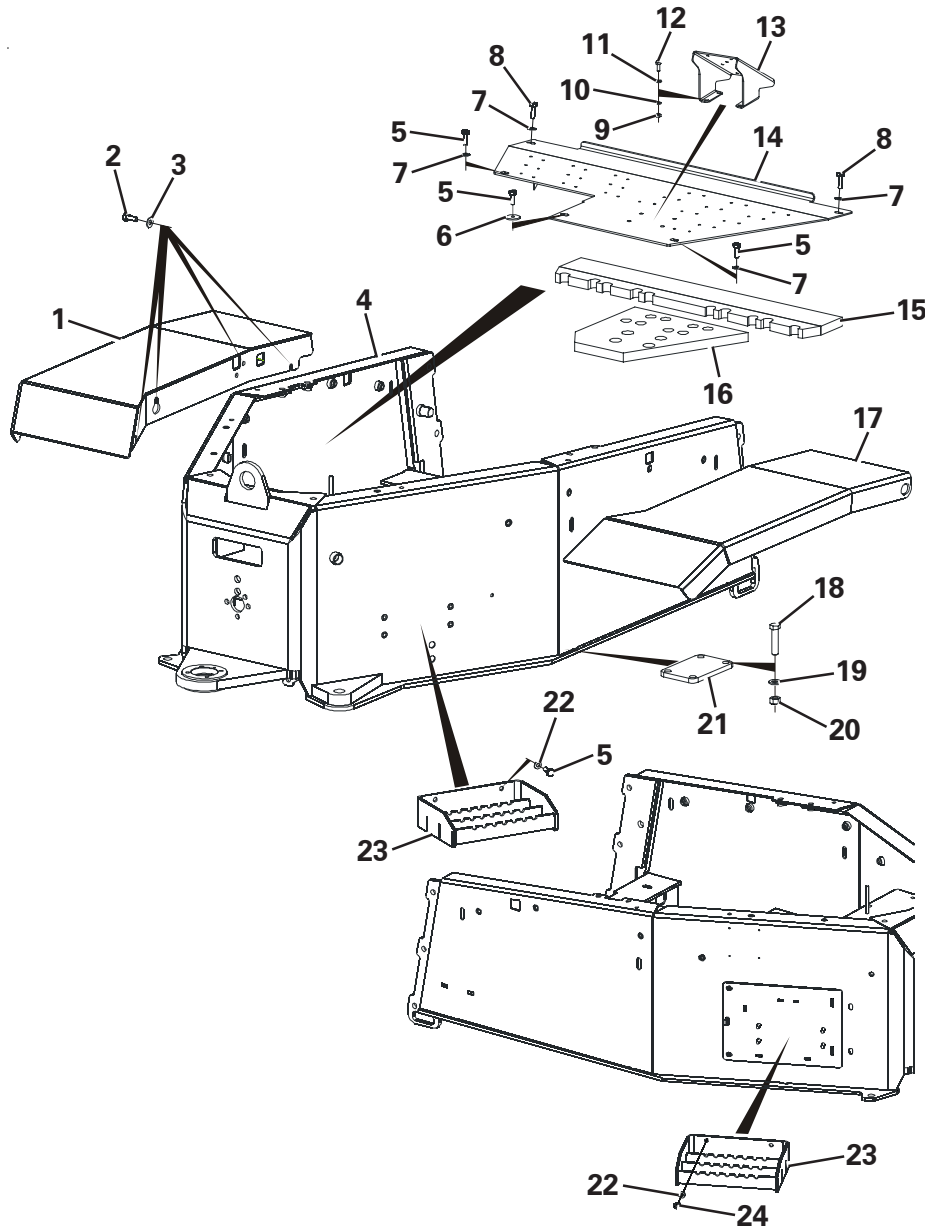


| Item | Part No. | Description | Qty | U/M |
|------|----------|---------------------------|-----|-----|
| 19 | T16477 | SET SCREW | 1.0 | EA |
| 20 | T10431 | NUT | 1.0 | EA |
| 21 | T100156 | TOWING PIN | 1.0 | EA |
| 22 | T6075 | R CLIP | 1.0 | EA |
| 23 | T14285 | RETAINING CHAIN | 1.0 | EA |
| 24 | T17508 | CHAIN SLEEVE | 1.0 | EA |
| 25 | T15830 | HEAVY DUTY WASHER | 2.0 | EA |
| 26 | T100155 | TOWING JAW | 1.0 | EA |
| 27 | T100563 | TOWING BRACKET ASSY | 1.0 | EA |
| 28 | T14078 | SET SCREW | 2.0 | EA |
| 29 | T14283 | PHILIDAS NUT | 2.0 | EA |
| 30 | T100778 | ROPS MOUNTING COVER PLATE | 2.0 | EA |
| 31 | T12876 | SOCKET DOME HEAD SCREW | 4.0 | EA |
| 32 | T12973 | WASHER | 4.0 | EA |
| 33 | T9345 | HEAVY DUTY WASHER | 4.0 | EA |
| 34 | T12972 | SPRING WASHER | 4.0 | EA |
| 35 | T9775 | NUT | 4.0 | EA |

Rear Cover Assembly - Hydrostatic - Tier 2

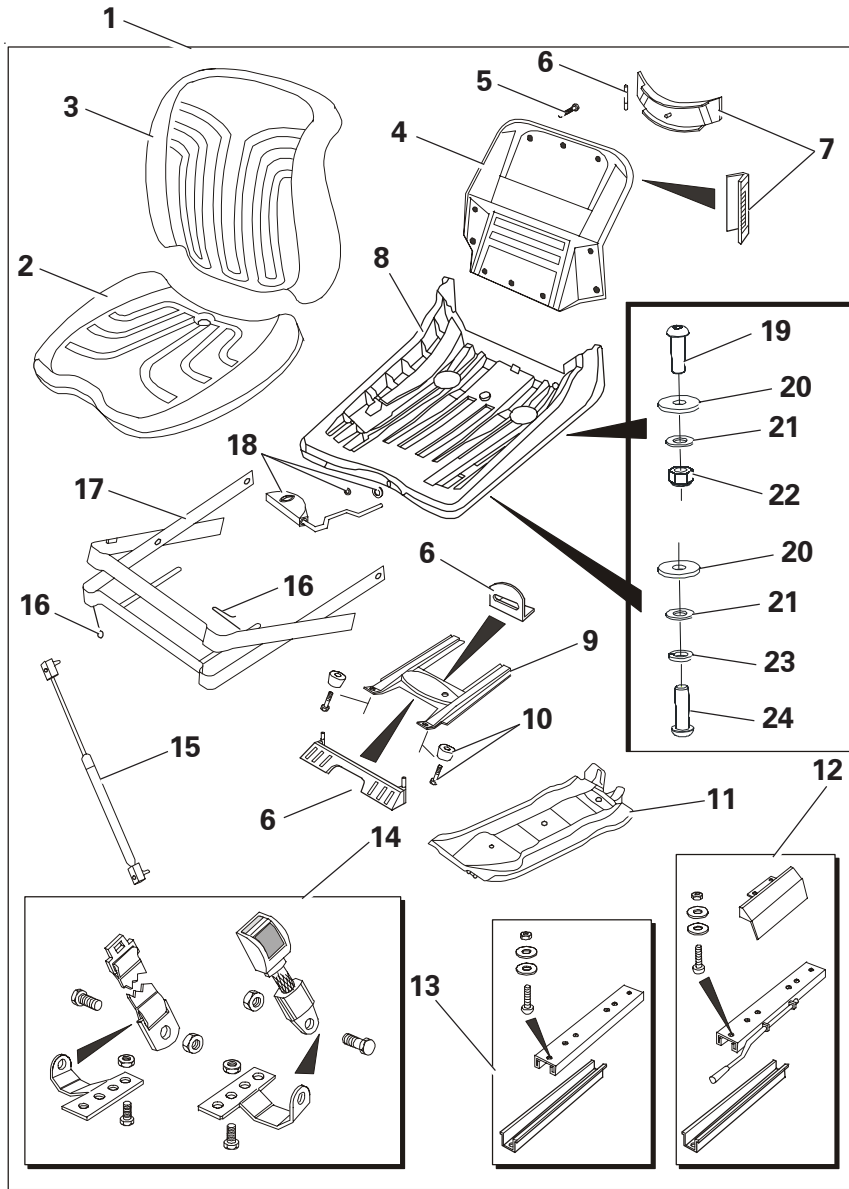


REAR CHASSIS ASSEMBLY



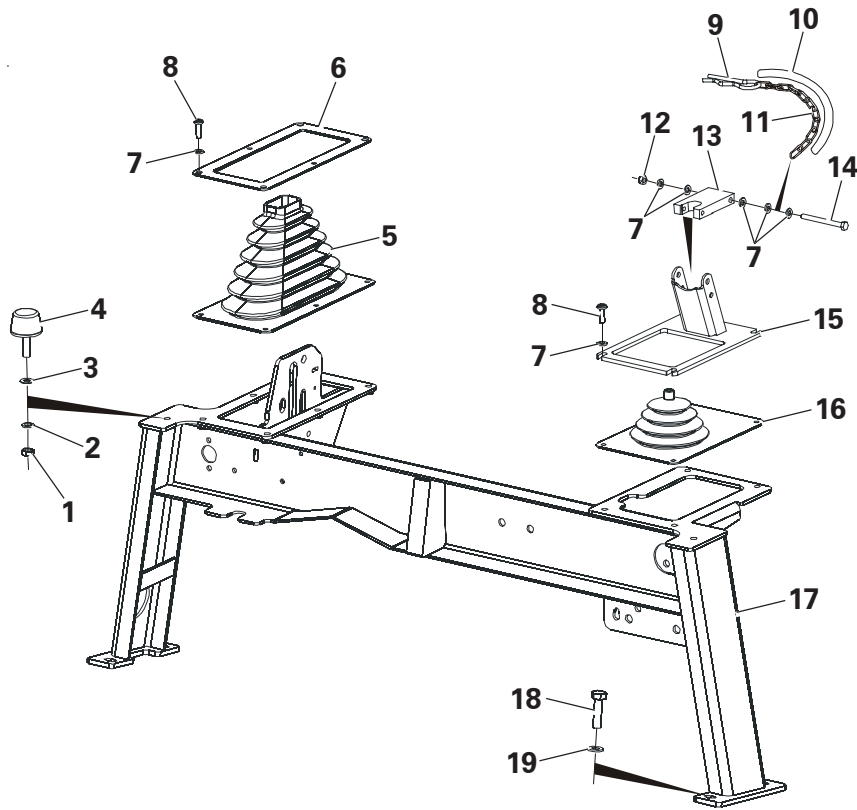
| Item | Part No. | Description | Qty | U/M |
|------|----------|--------------------------|-----|-----|
| 1 | T100350 | MUDGUARD RH | 1.0 | EA |
| 2 | T14077 | SET SCREW | 8.0 | EA |
| 3 | T14748 | HEAVY DUTY WASHER | 8.0 | EA |
| 4 | T100342 | REAR CHASSIS | 1.0 | EA |
| 5 | T20618 | SET SCREW | 7.0 | EA |
| 6 | T8128 | HEAVY DUTY WASHER | 1.0 | EA |
| 7 | T10734 | HEAVY DUTY WASHER | 4.0 | EA |
| 8 | T16505 | SET SCREW | 2.0 | EA |
| 9 | T9775 | NUT | 4.0 | EA |
| 10 | T12972 | SPRING WASHER | 4.0 | EA |
| 11 | T12973 | WASHER | 4.0 | EA |
| 12 | T7465 | SET SCREW | 4.0 | EA |
| 13 | T100954 | FOOT REST | 1.0 | EA |
| 14 | T100491 | FLOORPLATE | 1.0 | EA |
| 15 | T102083 | SOUND INSULATION (REAR) | 1.0 | EA |
| 16 | T102084 | SOUND INSULATION (FRONT) | 1.0 | EA |
| 17 | T100531 | MUDGUARD LH | 1.0 | EA |
| 18 | T14908 | BOLT | 8.0 | EA |
| 19 | T100867 | WASHER | 8.0 | EA |
| 20 | T14910 | PHILIDAS NUT | 8.0 | EA |
| 21 | T100894 | AXLE PACKER | 2.0 | EA |
| 22 | T15819 | WASHER | 8.0 | EA |
| 23 | T100147 | STEP | 2.0 | EA |
| 24 | T13064 | PHILIDAS NUT | 4.0 | EA |

SEAT ASSEMBLY



| Item | Part No. | Description | Qty | U/M |
|------|----------|-----------------------|-----|-----|
| 1 | T100024 | SEAT-MSG20 C/W BELTS | 1.0 | EA |
| 2 | T52524 | SEAT CUSHION VINYL | 1.0 | EA |
| 3 | T51918 | UPHOLSTERED BACK REST | 1.0 | EA |
| 4 | T51919 | PLATE | 1.0 | EA |
| 5 | T51920 | SCREW SET | 1.0 | EA |
| 6 | T51928 | FRAME KIT | 1.0 | EA |
| 7 | T51936 | BLANKING COVERS | 1.0 | EA |
| 8 | T52525 | SEAT PAN | 1.0 | EA |
| 9 | T52530 | OUTER SWING ARM | 1.0 | EA |
| 10 | T51927 | SCREW & WASHER SET | 1.0 | EA |
| 11 | T52529 | INNER SWING ARM | 1.0 | EA |
| 12 | T51929 | SLIDE RAIL KIT | 1.0 | EA |
| 13 | T51930 | SLIDE RAIL | 1.0 | EA |
| 14 | T52536 | SEAT BELT | 1.0 | EA |
| 15 | T52531 | SHOCK ABSORBER | 1.0 | EA |
| 16 | T52526 | REPAIR KIT | 1.0 | EA |
| 17 | T52527 | SUSPENSION COVER | 1.0 | EA |
| 18 | T51921 | LEVER | 1.0 | EA |
| 19 | T12971 | BUTTON HEAD SCREW | 2.0 | EA |
| 20 | T9345 | WASHER | 4.0 | EA |
| 21 | T12973 | PLAIN WASHER | 4.0 | EA |
| 22 | T13457 | NYLOC NUT | 2.0 | EA |
| 23 | T12972 | SPRING WASHER | 2.0 | EA |
| 24 | T12832 | DOME HEAD SCREW | 2.0 | EA |

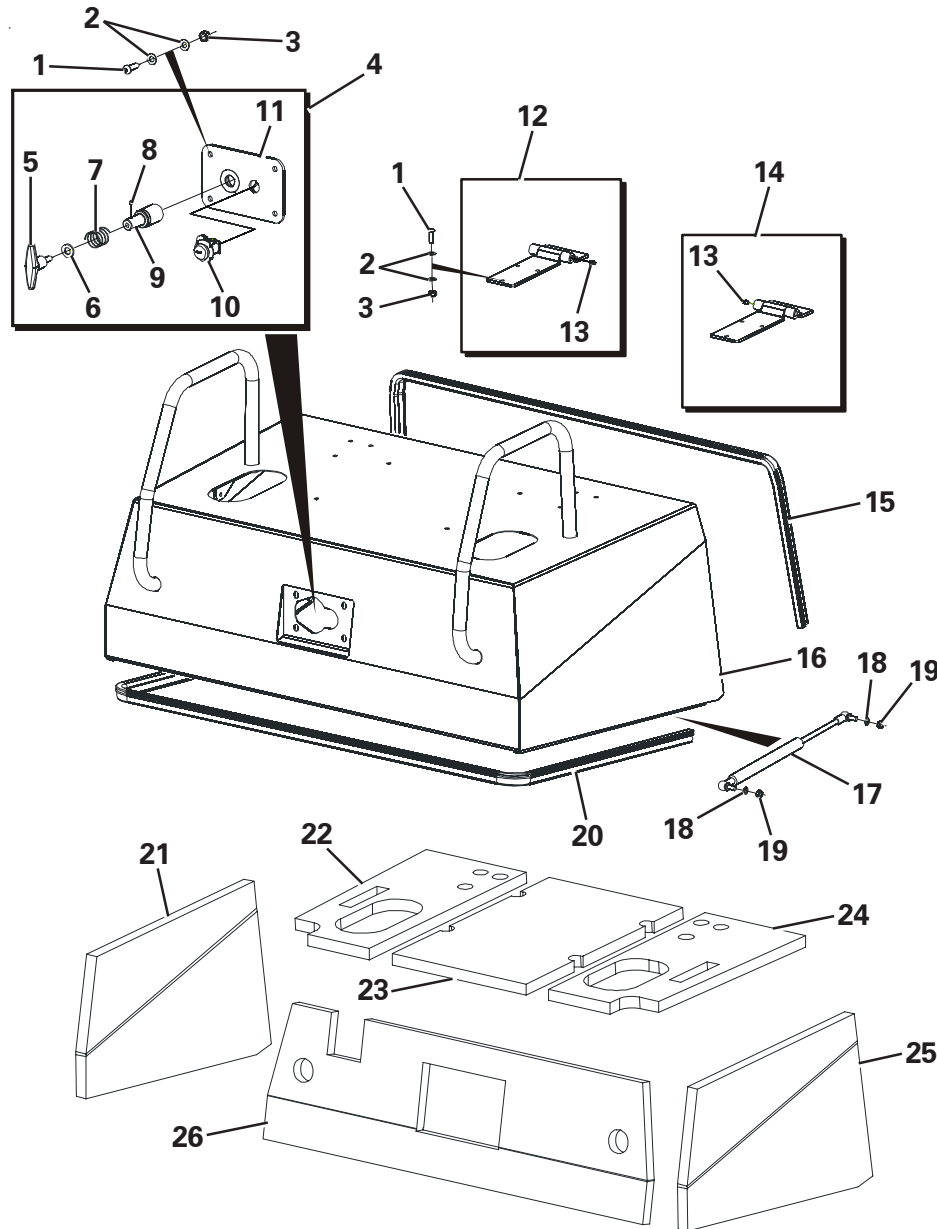
CONTROL MTG BRACE ASSEMBLY



| Item | Part No. | Description | Qty | U/M |
|------|----------|--------------------------|------|-----|
| 1 | T9775 | NUT | 2.0 | EA |
| 2 | T12972 | SPRING WASHER | 2.0 | EA |
| 3 | T12973 | WASHER | 2.0 | EA |
| 4 | T100214 | RUBBER BUFFER | 2.0 | EA |
| 5* | T102309 | GAITER | 1.0 | EA |
| 6 | T100570 | GAITER RETAINING PLATE | 1.0 | EA |
| 7 | T13911 | WASHER | 15.0 | EA |
| 8 | T16492 | PAN HEAD SCREW | 10.0 | EA |
| 9 | T10012 | R CLIP | 1.0 | EA |
| 10 | T17508 | CHAIN SLEEVE | 1.0 | EA |
| 11 | T17507 | LOCKING PIN CHAIN | 1.0 | EA |
| 12 | T16481 | NYLOC NUT | 1.0 | EA |
| 13 | T100898 | LEVER LOCK | 1.0 | EA |
| 14 | T17920 | BOLT | 1.0 | EA |
| 15 | T102112 | VALVE LEVER LOCK BRACKET | 1.0 | EA |
| 16 | T100289 | TIPPING LEVER GAITER | 1.0 | EA |
| 17 | T101787 | CONTROL MTG BRACE | 1.0 | EA |
| 18 | T16500 | BOLT | 4.0 | EA |
| 19 | T10734 | HEAVY DUTY WASHER | 4.0 | EA |

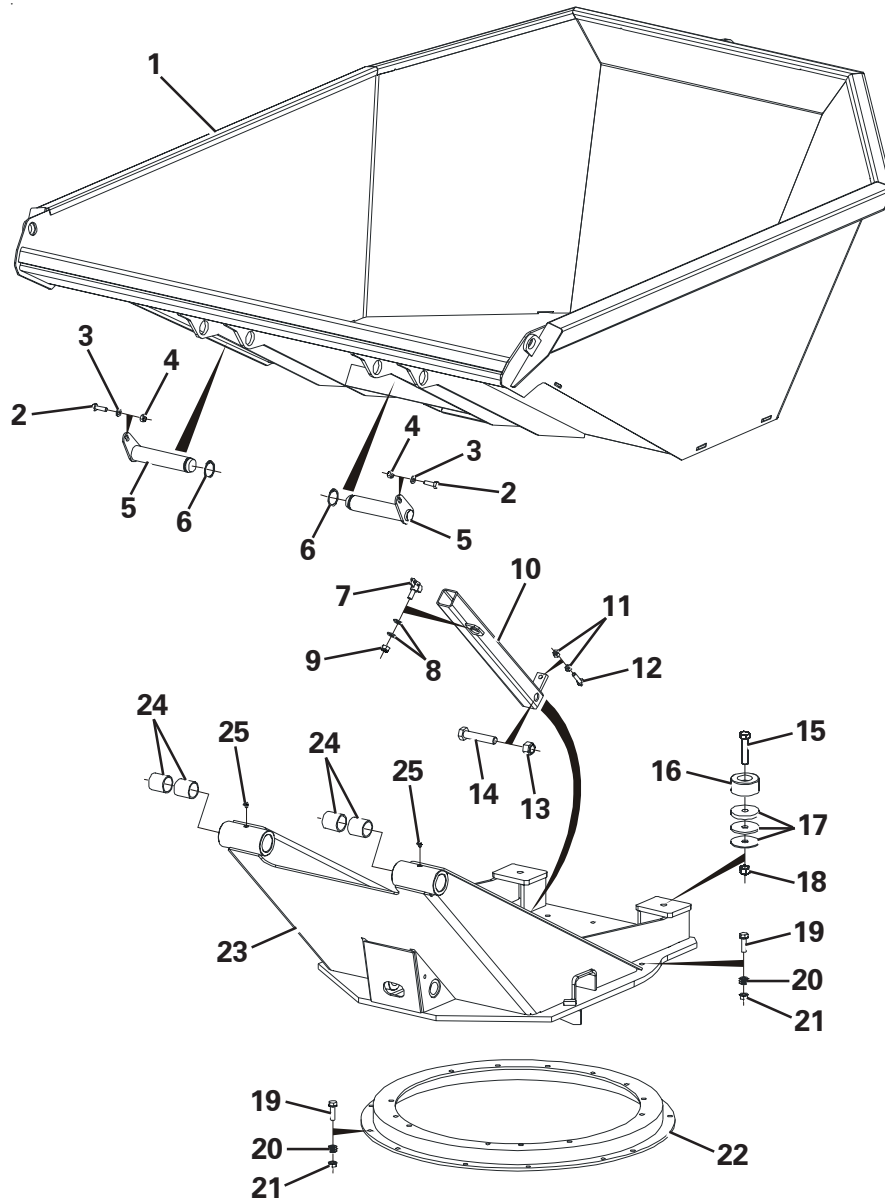
Control Mounting Brace Assembly - Hydrostatic - Tier 2

ENGINE COVER ASSEMBLY



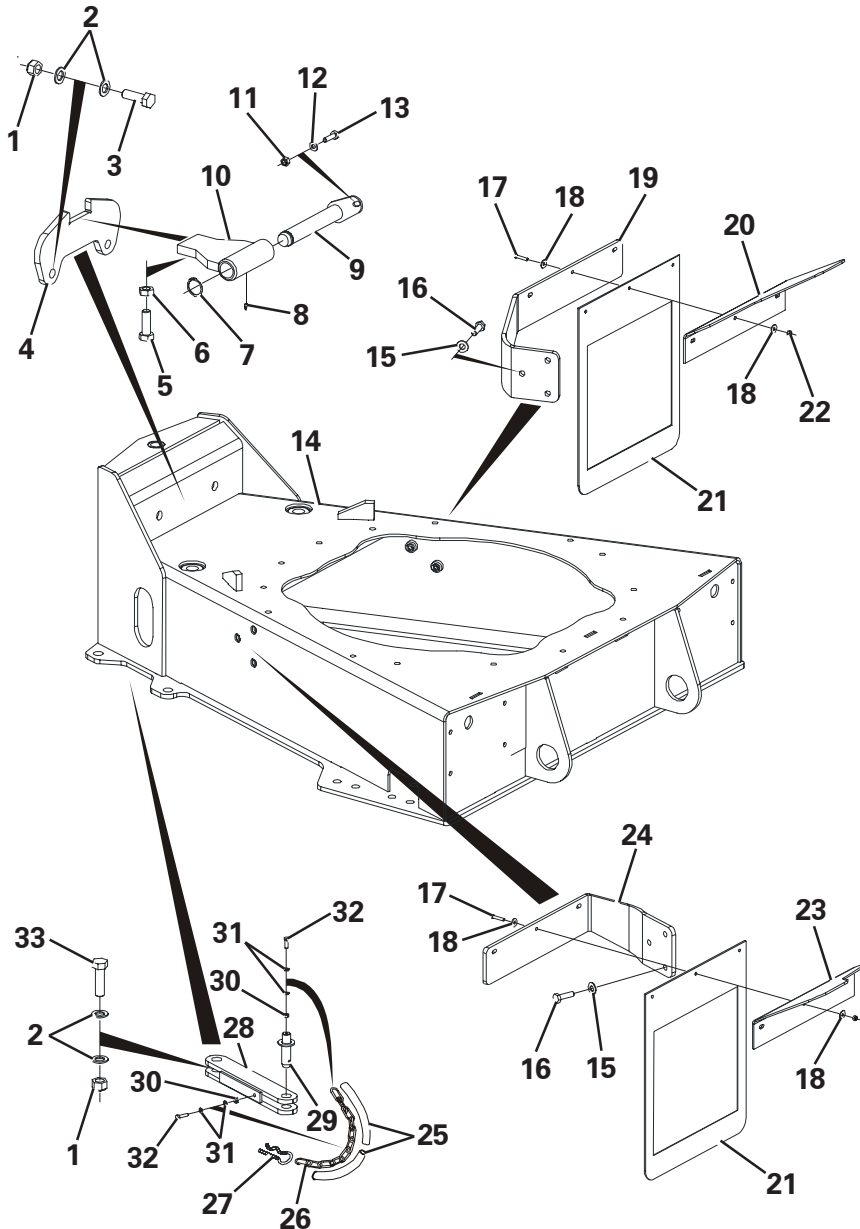
| Item | Part No. | Description | Qty | U/M |
|------|----------|-------------------------------|------|-----|
| 1 | T12971 | SOCKET DOME HEAD SCREW | 16.0 | EA |
| 2 | T12973 | WASHER | 32.0 | EA |
| 3 | T13457 | NYLOC NUT | 16.0 | EA |
| 4 | T100211 | LOCK ASSY | 1.0 | EA |
| 5 | T100216 | RENCOL HANDLE | 1.0 | EA |
| 6 | T10734 | HEAVY DUTY WASHER | 1.0 | EA |
| 7 | T100287 | SPRING | 1.0 | EA |
| 8 | T100477 | GRUB SCREW | 1.0 | EA |
| 9 | T100266 | LOCK PLUNGER | 1.0 | EA |
| 10 | T100265 | COMPARTMENT LOCK | 1.0 | EA |
| 11 | T100286 | WELDED LOCK ASSY | 1.0 | EA |
| 12 | T101780 | HINGE RH (WITH GREASE NIPPLE) | 1.0 | EA |
| 13 | T16586 | GREASE NIPPLE | 2.0 | EA |
| 14 | T101779 | HINGE LH (WITH GREASE NIPPLE) | 1.0 | EA |
| 15 | T101831 | REAR SEAL | 1.0 | EA |
| 16 | T101786 | ENGINE COVER | 1.0 | EA |
| 17 | T100610 | GAS STRUT | 2.0 | EA |
| 18 | T12972 | SPRING WASHER | 4.0 | EA |
| 19 | T9775 | NUT | 4.0 | EA |
| 20 | T101830 | LOWER SEAL | 1.0 | EA |
| 21 | T102078 | BONNET INSULATION | 1.0 | EA |
| 22 | T102075 | BONNET INSULATION | 1.0 | EA |
| 23 | T102073 | BONNET INSULATION | 1.0 | EA |
| 24 | T102074 | BONNET INSULATION | 1.0 | EA |
| 25 | T102077 | BONNET INSULATION | 1.0 | EA |
| 26 | T102076 | BONNET INSULATION | 1.0 | EA |

SKIP & SUB CHASSIS



| Item | Part No. | Description | Qty | U/M |
|------|----------|----------------------|------|-----|
| 1 | T100943 | SKIP | 1.0 | EA |
| 2 | T16505 | SET SCREW | 2.0 | EA |
| 3 | T10734 | HEAVY DUTY WASHER | 2.0 | EA |
| 4 | T13064 | PHILIDAS NUT | 2.0 | EA |
| 5 | T100087 | SKIP PIVOT PIN | 2.0 | EA |
| 6 | T100099 | CIRCLIP | 2.0 | EA |
| 7 | T100384 | ANTI-LUCE FITTING | 1.0 | EA |
| 8 | T14748 | HEAVY DUTY WASHER | 2.0 | EA |
| 9 | T14283 | PHILIDAS NUT | 1.0 | EA |
| 10 | T100235 | SKIP PROP | 1.0 | EA |
| 11 | T12509 | NUT | 2.0 | EA |
| 12 | T12761 | BOLT | 1.0 | EA |
| 13 | T13739 | PHILIDAS NUT | 1.0 | EA |
| 14 | T20329 | BOLT | 1.0 | EA |
| 15 | T100594 | SET SCREW | 2.0 | EA |
| 16 | T100581 | SKIP STOP | 2.0 | EA |
| 17 | T100578 | SKIP PAD SPACER 3mm | A/R | EA |
| | T100303 | SKIP PAD SPACER 5mm | A/R | EA |
| | T100386 | SKIP PAD SPACER 10mm | A/R | EA |
| 18 | T14910 | PHILIDAS NUT | 2.0 | EA |
| 19 | T9926 | DURLOCK BOLT | 27.0 | EA |
| 20 | T7245/1 | .003 SHIM | A/R | EA |
| | T7245/2 | .005 SHIM | A/R | EA |
| | T7245/3 | .010 SHIM | A/R | EA |
| | T7245/4 | .020 SHIM | A/R | EA |
| | T7245/5 | .030 SHIM | A/R | EA |
| 21 | T9928 | DURLOCK NUT | 27.0 | EA |
| 22 | T100348 | SLEW RING | 1.0 | EA |
| 23 | T100485 | SUB-CHASSIS | 1.0 | EA |
| 24 | T100029 | BUSH | 4.0 | EA |
| 25 | T16587 | GREASE NIPPLE | 2.0 | EA |

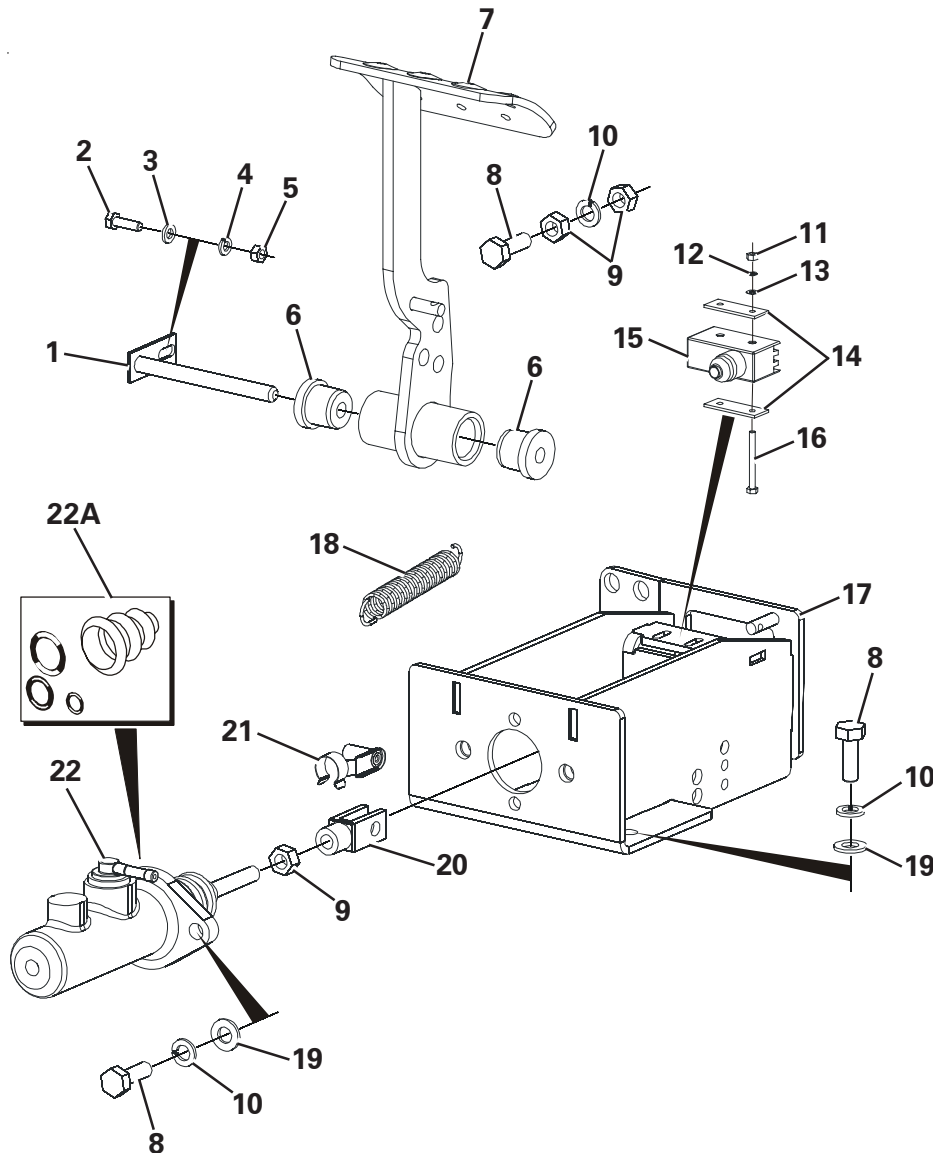
FRONT CHASSIS ASSEMBLY



| Item | Part No. | Description | Qty | U/M |
|------|----------|------------------------|------|-----|
| 1 | T13739 | PHILIDAS NUT | 3.0 | EA |
| 2 | T17306 | WASHER | 6.0 | EA |
| 3 | T100459 | BOLT | 2.0 | EA |
| 4 | T100522 | LATCH PLATE | 1.0 | EA |
| 5 | T100865 | SET SCREW | 1.0 | EA |
| 6 | T100866 | NUT | 1.0 | EA |
| 7 | T100098 | CIRCLIP | 1.0 | EA |
| 8 | T16586 | GREASE NIPPLE | 1.0 | EA |
| 9 | T100089 | PIVOT PIN | 1.0 | EA |
| 10 | T100521 | LATCH ASSY | 1.0 | EA |
| 11 | T13064 | PHILIDAS NUT | 1.0 | EA |
| 12 | T10734 | HEAVY DUTY WASHER | 1.0 | EA |
| 13 | T16505 | SET SCREW | 1.0 | EA |
| 14 | T100341 | FRONT CHASSIS | 1.0 | EA |
| 15 | T14748 | HEAVY DUTY WASHER | 6.0 | EA |
| 16 | T14078 | SET SCREW | 6.0 | EA |
| 17 | T100700 | SOCKET DOME HEAD SCREW | 6.0 | EA |
| 18 | T15830 | HEAVY DUTY WASHER | 12.0 | EA |
| 19 | T100523 | MUDGUARD BRACKET LH | 1.0 | EA |
| 20 | T100526 | MUDGUARD LH | 1.0 | EA |
| 21 | T100027 | MUDFLAP RUBBER | 2.0 | EA |
| 22 | T13910 | PHILIDAS NUT | 6.0 | EA |
| 23 | T100525 | MUDGUARD RH | 1.0 | EA |
| 24 | T100524 | MUDGUARD BRACKET RH | 1.0 | EA |
| 25 | T17508 | CHAIN SLEEVE | 2.0 | EA |
| 26 | T18186 | PIN RETAINING CHAIN | 1.0 | EA |
| 27 | T10012 | 'R' CLIP | 1.0 | EA |
| 28 | T100102 | CHASSIS LOCK BAR ASSY | 1.0 | EA |
| 29 | T100103 | CHASSIS LOCK PIN ASSY | 1.0 | EA |
| 30 | T10431 | NUT | 2.0 | EA |
| 31 | T13911 | WASHER | 4.0 | EA |
| 32 | T16477 | SET SCREW | 2.0 | EA |
| 33 | T100310 | BOLT | 1.0 | EA |

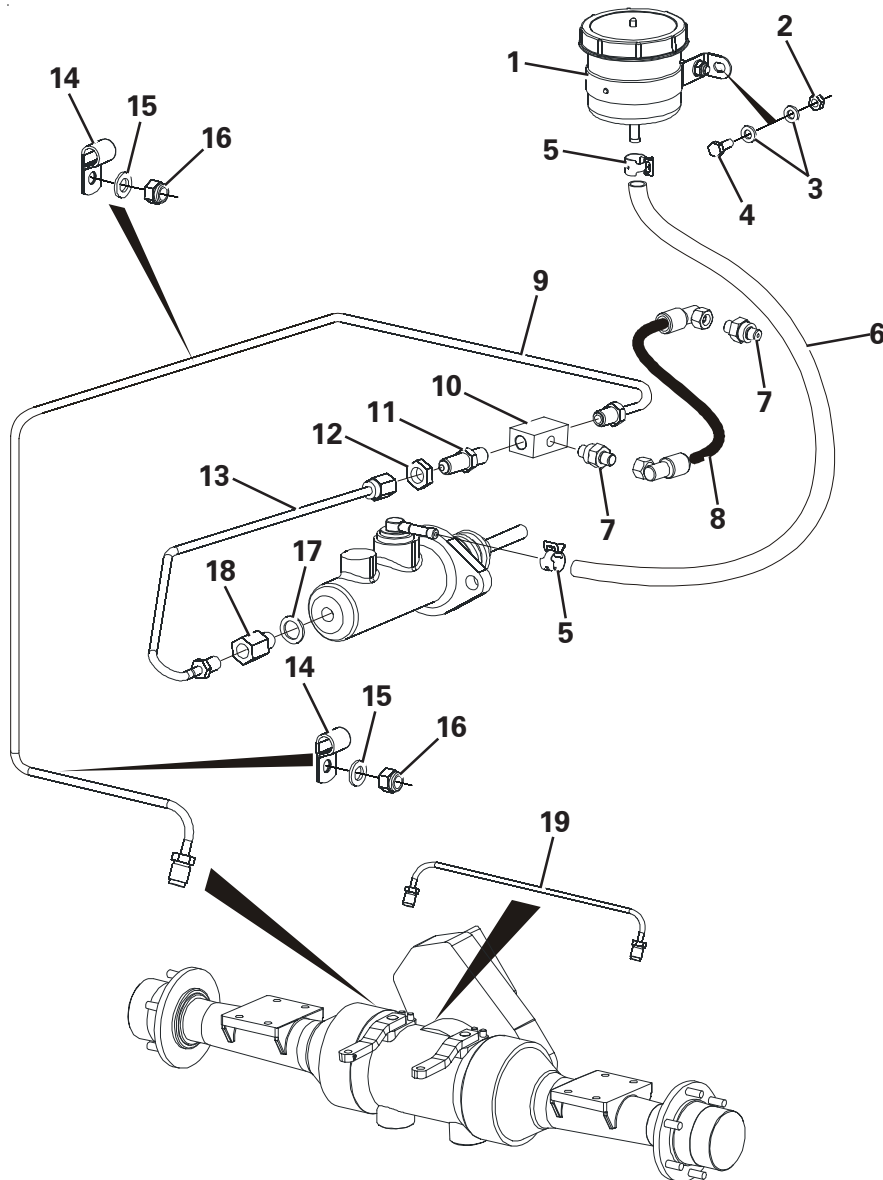
Front Chassis - Powerswivel - Tier 2

BRAKE PEDAL ASSEMBLY



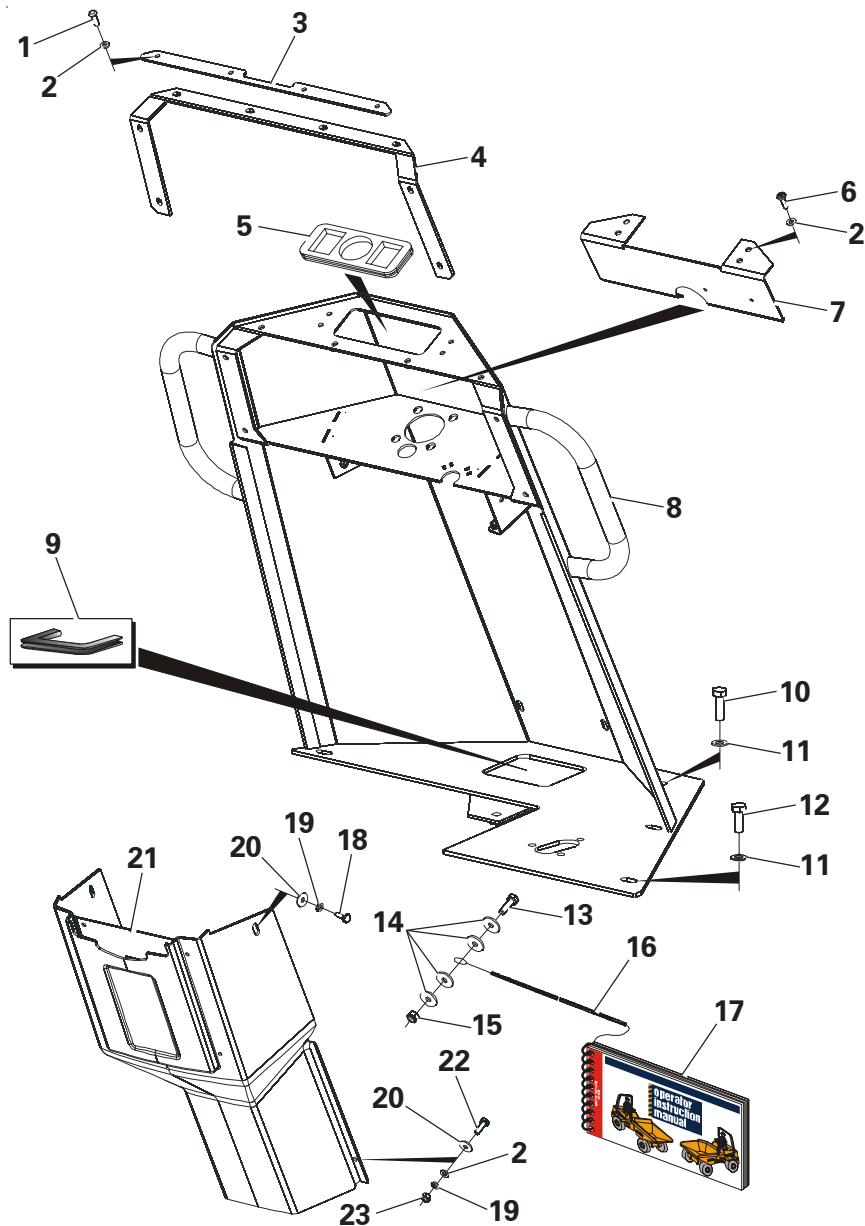
| Item | Part No. | Description | Qty | U/M |
|------|----------|----------------------------|-----|-----|
| 1 | T100096 | PEDAL SHAFT | 1.0 | EA |
| 2 | T16477 | SET SCREW | 1.0 | EA |
| 3 | T15830 | HEAVY DUTY WASHER | 1.0 | EA |
| 4 | T14837 | SPRING WASHER | 1.0 | EA |
| 5 | T10431 | NUT | 1.0 | EA |
| 6 | T100110 | BUSH | 2.0 | EA |
| 7 | T100636 | BRAKE/INCHING PEDAL | 1.0 | EA |
| 8 | T20618 | SET SCREW | 5.0 | EA |
| 9 | T12509 | NUT | 3.0 | EA |
| 10 | T13362 | SPRING WASHER | 5.0 | EA |
| 11 | T11447 | NUT | 2.0 | EA |
| 12 | T11439 | SPRING WASHER | 2.0 | EA |
| 13 | T11440 | WASHER | 2.0 | EA |
| 14 | T13289 | MICRO SWITCH BACKING PLATE | 2.0 | EA |
| 15 | T100223 | MICRO SWITCH | 1.0 | EA |
| 16 | T13321 | SET SCREW | 2.0 | EA |
| 17 | T100351 | MASTER CYLINDER MTG BRKT | 1.0 | EA |
| 18 | T100318 | BRAKE SPRING | 1.0 | EA |
| 19 | T15819 | WASHER | 4.0 | EA |
| 20 | T100083 | FORK END | 1.0 | EA |
| 21 | T100084 | SPRING CLEVIS PIN | 1.0 | EA |
| 22 | T100399 | MASTER CYLINDER | 1.0 | EA |
| 22A | T52799 | SEAL KIT | 1.0 | EA |

BRAKE CIRCUIT - HYDROSTATIC



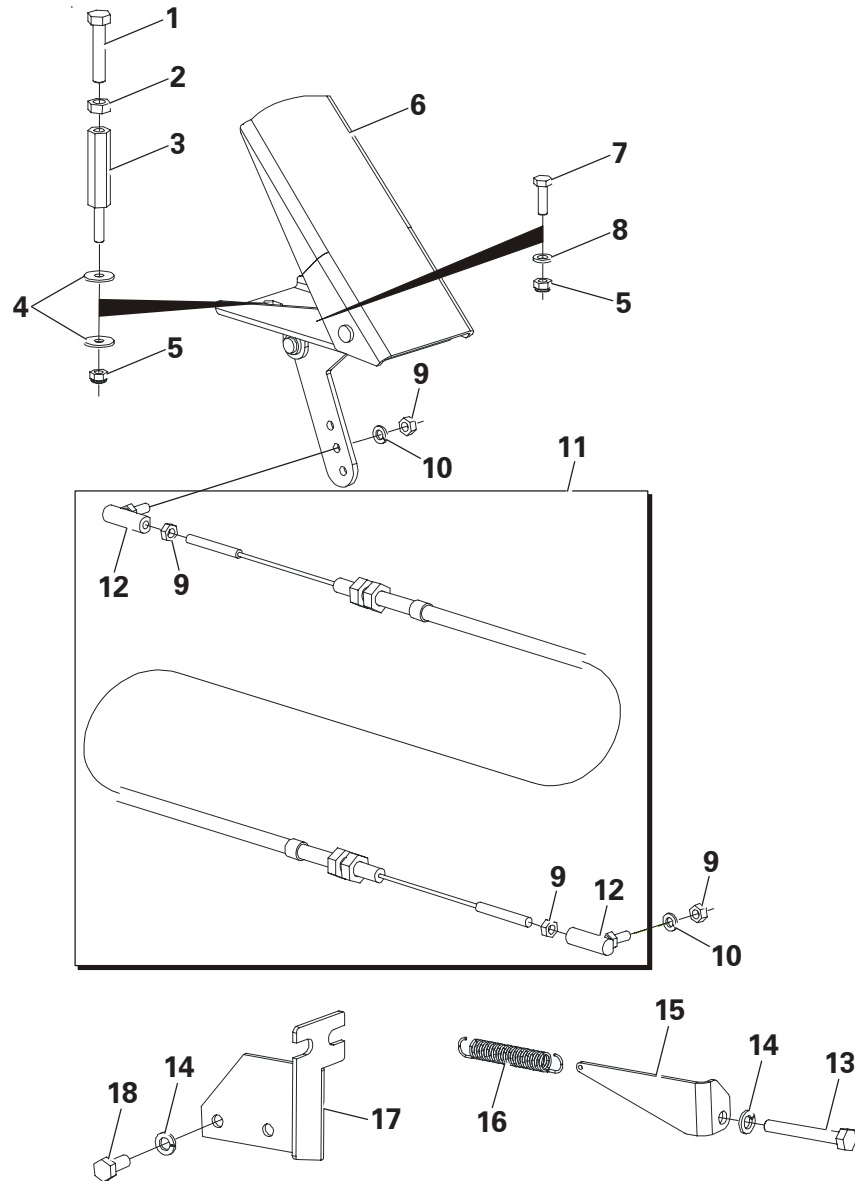
| Item | Part No. | Description | Qty | U/M |
|------|----------|-------------------|-----|-----|
| 1 | T100402 | RESERVOIR | 1.0 | EA |
| 2 | T16481 | NYLOC NUT | 2.0 | EA |
| 3 | T13911 | WASHER | 4.0 | EA |
| 4 | T10917 | SET SCREW | 2.0 | EA |
| 5 | T100691 | HOSE CLIP | 2.0 | EA |
| 6 | T100747 | BRAKE HOSE | 1.0 | EA |
| 7 | T100790 | ADAPTOR | 2.0 | EA |
| 8 | T100726 | HOSE | 1.0 | EA |
| 9 | T100703 | BRAKE PIPE | 1.0 | EA |
| 10 | T9369 | SPECIAL 3 WAY TEE | 1.0 | EA |
| 11 | T100697 | BRAKE B/H UNION | 1.0 | EA |
| 12 | T8942 | LOCK NUT | 1.0 | EA |
| 13 | T100702 | BRAKE PIPE | 1.0 | EA |
| 14 | T11452 | P CLIP | 2.0 | EA |
| 15 | T16612 | WASHER | 2.0 | EA |
| 16 | T16613 | NYLOC NUT | 2.0 | EA |
| 17 | T10940 | DOWTY WASHER | 1.0 | EA |
| 18 | T100701 | ADAPTOR | 1.0 | EA |
| 19 | T100704 | BRAKE PIPE | 1.0 | EA |

LEG GUARD ASSEMBLY



| Item | Part No. | Description | Qty | U/M |
|------|----------|-------------------------|------|-----|
| 1 | T100315 | DOME HEAD SCREW | 4.0 | EA |
| 2 | T13911 | WASHER | 10.0 | EA |
| 3 | T100506 | CLAMPING STRIP | 1.0 | EA |
| 4 | T100320 | SEALING GASKET | 1.0 | EA |
| 5 | T100356 | STEERING COLUMN GROMMET | 1.0 | EA |
| 6 | T16492 | PAN HEAD SCREW | 4.0 | EA |
| 7 | T100540 | SPLASH GUARD | 1.0 | EA |
| 8 | T101015 | LEG GUARD ASSY | 1.0 | EA |
| 9 | T52795 | E J TRIM | 1.0 | EA |
| 10 | T16505 | SET SCREW | 2.0 | EA |
| 11 | T10734 | HEAVY DUTY WASHER | 5.0 | EA |
| 12 | T20618 | SET SCREW | 3.0 | EA |
| 13 | T12694 | SET SCREW | 1.0 | EA |
| 14 | T9345 | HEAVY DUTY WASHER | 4.0 | EA |
| 15 | T13457 | NYLOC NUT | 1.0 | EA |
| 16 | T100699 | RETAINING CABLE | 1.0 | EA |
| 17 | T0428 | OPERATOR BOOK | 1.0 | EA |
| 18 | T10917 | SET SCREW | 2.0 | EA |
| 19 | T14837 | SPRING WASHER | 4.0 | EA |
| 20 | T15830 | HEAVY DUTY WASHER | 4.0 | EA |
| 21 | T100159 | INNER LEG GUARD | 1.0 | EA |
| 22 | T16477 | SET SCREW | 2.0 | EA |
| 23 | T10431 | NUT | 2.0 | EA |

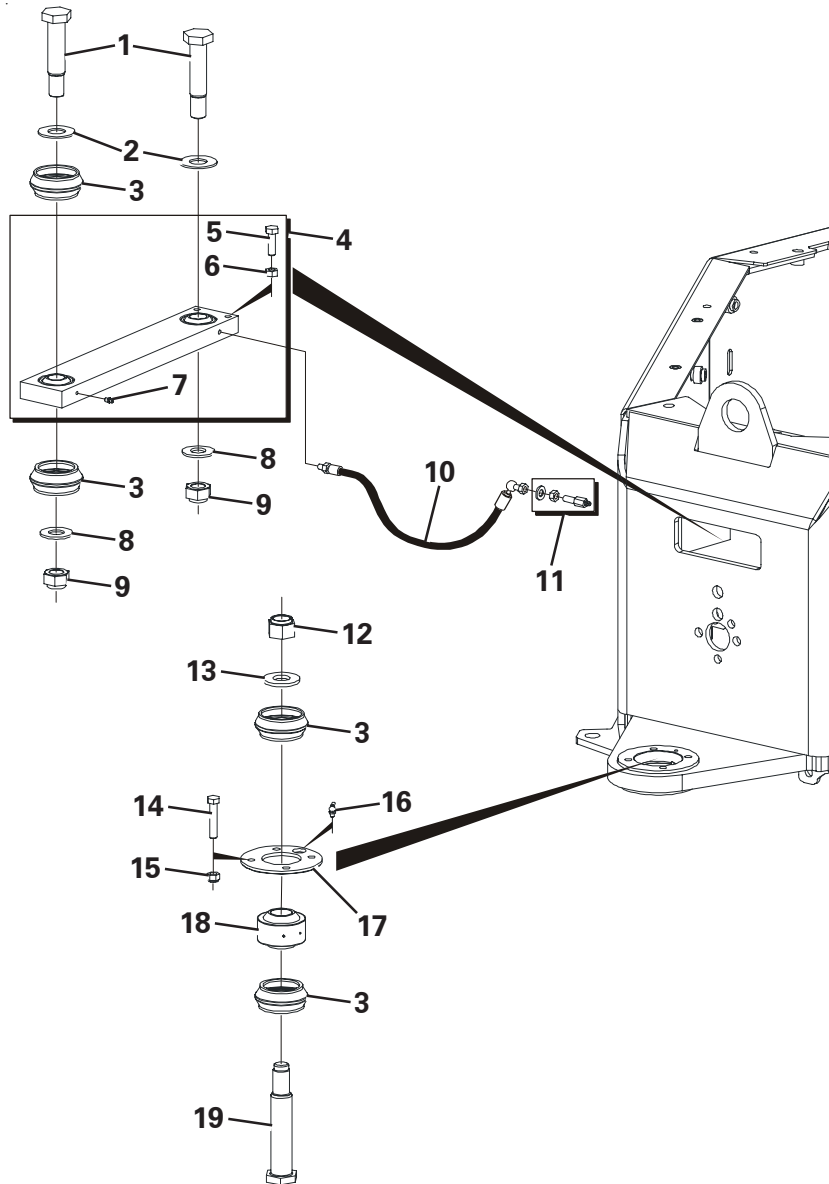
THROTTLE ASSEMBLY



| Item | Part No. | Description | Qty | U/M |
|------|----------|-------------------------|-----|-----|
| 1 | T16494 | BOLT | 1.0 | EA |
| 2 | T9775 | NUT | 1.0 | EA |
| 3 | T101032 | THROTTLE STOP | 1.0 | EA |
| 4 | T15830 | HEAVY DUTY WASHER | 2.0 | EA |
| 5 | T16481 | NYLOC NUT | 3.0 | EA |
| 6 | T101965 | THROTTLE PEDAL | 1.0 | EA |
| 7 | T16477 | SET SCREW | 2.0 | EA |
| 8 | T13911 | WASHER | 2.0 | EA |
| 9 | T10431 | NUT | 4.0 | EA |
| 10 | T14837 | SPRING WASHER | 2.0 | EA |
| 11 | T101785 | THROTTLE CABLE | 1.0 | EA |
| 12 | T16192 | AMEL END | 2.0 | EA |
| 13 | T17157 | BOLT | 1.0 | EA |
| 14 | T12972 | SPRING WASHER | 3.0 | EA |
| 15 | T101768 | THROTTLE SPRING MTG | 1.0 | EA |
| 16 | T18452 | SPRING | 1.0 | EA |
| 17 | T101770 | THROTTLE CABLE REACTION | 1.0 | EA |
| 18 | T7465 | SET SCREW | 2.0 | EA |

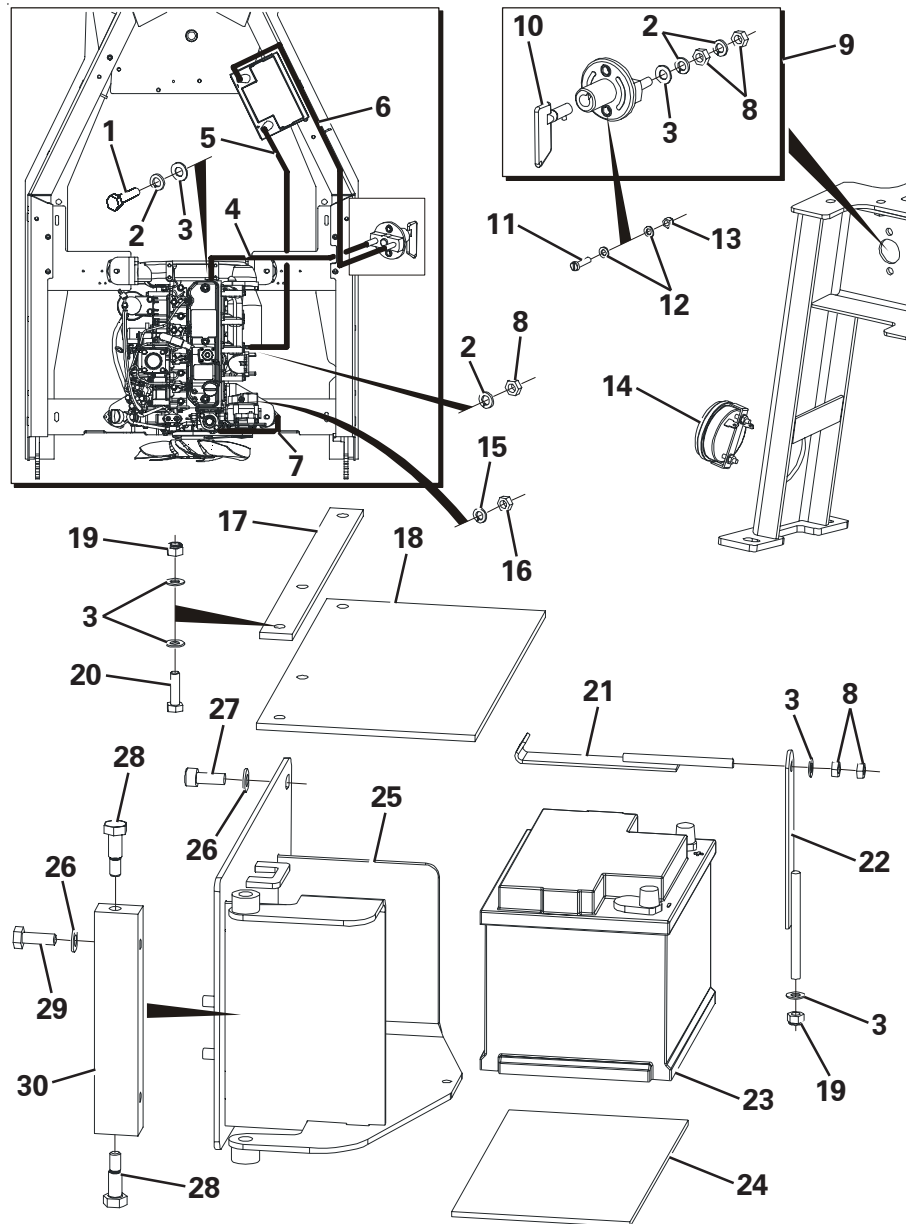
Throttle Pedal Assembly - Tier 2

KINGLINK ASSEMBLY



| Item | Part No. | Description | Qty | U/M |
|------|----------|------------------------|-----|-----|
| 1 | T100593 | TOP PIVOT BOLT | 2.0 | EA |
| 2 | T6768 | WASHER | 2.0 | EA |
| 3 | T10160 | RUBBER DUST SEAL | 4.0 | EA |
| 4 | T52796 | KINGLINK ASSEMBLY | 1.0 | EA |
| 5 | T16505 | SET SCREW | 2.0 | EA |
| 6 | T12509 | NUT | 2.0 | EA |
| 7 | T16586 | GREASE NIPPLE | 1.0 | EA |
| 8 | T11811 | HEAVY DUTY WASHER | 2.0 | EA |
| 9 | T10143 | NUT | 2.0 | EA |
| 10 | T100727 | GREASE PIPE | 1.0 | EA |
| 11 | T100390 | GREASE NIPPLE ASSEMBLY | 1.0 | EA |
| 12 | T10331 | LOCKNUT | 1.0 | EA |
| 13 | T7695 | HEAVY DUTY WASHER | 1.0 | EA |
| 14 | T101725 | BOLT | 4.0 | EA |
| 15 | T101724 | NYLOC NUT | 4.0 | EA |
| 16 | T16588 | GREASE NIPPLE | 1.0 | EA |
| 17 | T100527 | LOWER BEARING CAP | 1.0 | EA |
| 18 | T100268 | SPHERICAL BEARING | 1.0 | EA |
| 19 | T100489 | BOTTOM PIVOT PIN | 1.0 | EA |

BATTERY BOX ASSEMBLY

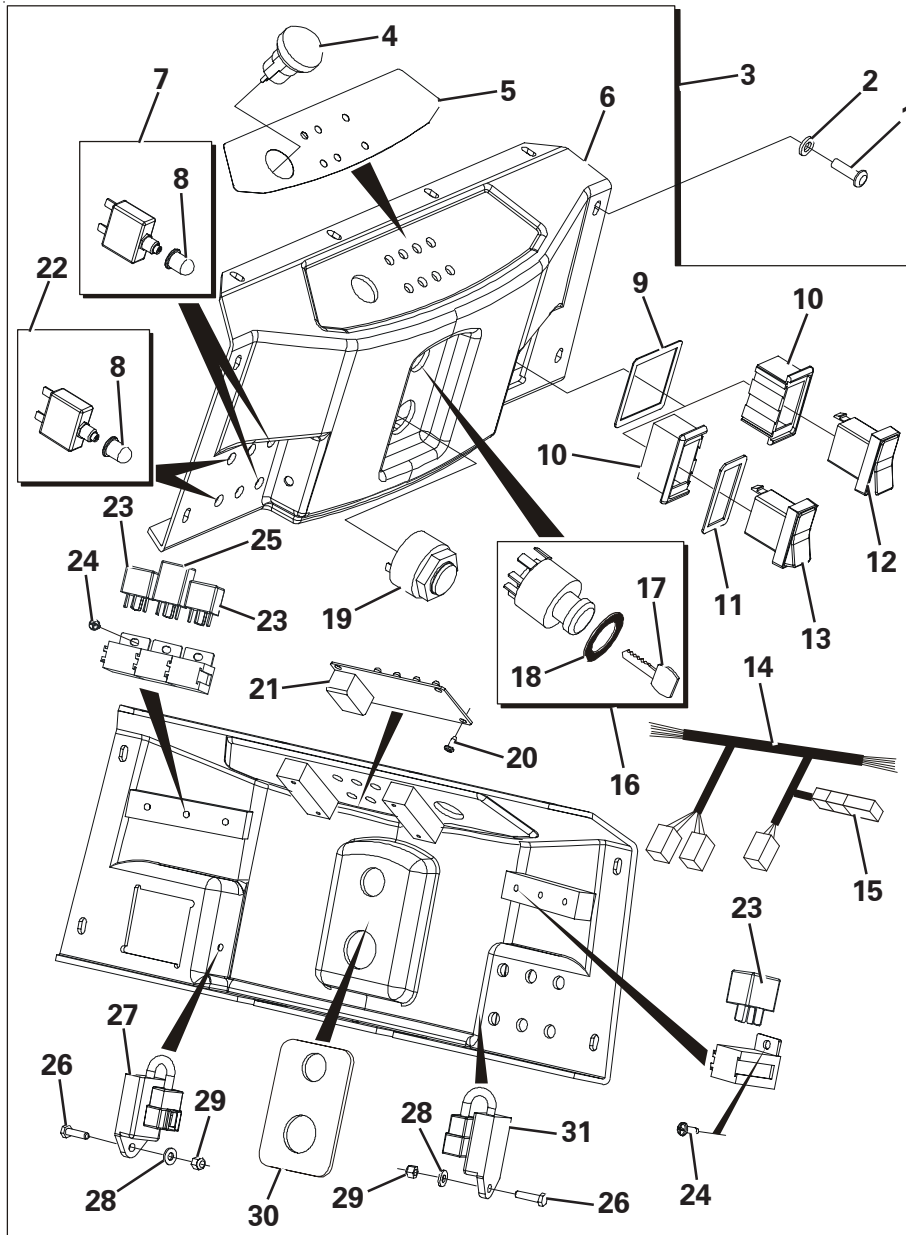


| Item | Part No. | Description | Qty | U/M |
|------|----------|-------------------------|------|-----|
| 1 | T11673 | SET SCREW | 1.0 | EA |
| 2 | T12972 | SPRING WASHER | 6.0 | EA |
| 3 | T12973 | WASHER | 11.0 | EA |
| 4 | T101915 | ISOLATOR CABLE | 1.0 | EA |
| 5 | T101913 | BATTERY POSITIVE CABLE | 1.0 | EA |
| 6 | T101914 | BATTERY NEGATIVE CABLE | 1.0 | EA |
| 7 | T100665 | EARTH LEAD | 1.0 | EA |
| 8 | T9775 | NUT | 7.0 | EA |
| 9 | T20846 | BATTERY ISOLATOR SWITCH | 1.0 | EA |
| 10 | T52600 | KEY | 1.0 | EA |
| 11 | T16476 | SET SCREW | 2.0 | EA |
| 12 | T13911 | WASHER | 4.0 | EA |
| 13 | T16481 | NYLOC NUT | 2.0 | EA |
| 14 | T16538 | HOURMETER | 1.0 | EA |
| 15 | T14837 | SPRING WASHER | 1.0 | EA |
| 16 | T10431 | NUT | 1.0 | EA |
| 17 | T100394 | BATTERY COVER RETAINER | 1.0 | EA |
| 18 | T100393 | RUBBER BATTERY COVER | 1.0 | EA |
| 19 | T13457 | NYLOC NUT | 4.0 | EA |
| 20 | T14152 | BOLT | 3.0 | EA |
| 21 | T100432 | BATTERY STOP TOP | 1.0 | EA |
| 22 | T100758 | BATTERY STOP FRONT | 1.0 | EA |
| 23 | T100967 | BATTERY | 1.0 | EA |
| 24 | T16948 | NON-SLIP MAT | 1.0 | EA |
| 25 | T100376 | BATTERY BOX | 1.0 | EA |
| 26 | T10734 | HEAVY DUTY WASHER | 4.0 | EA |
| 27 | T16770 | SOCKET HEAD CAP SCREW | 2.0 | EA |
| 28 | T100577 | PIVOT PIN | 2.0 | EA |
| 29 | T20618 | SET SCREW | 2.0 | EA |
| 30 | T100592 | HINGE BLOCK | 1.0 | EA |

Battery Box Assembly - Manual - Tier 2

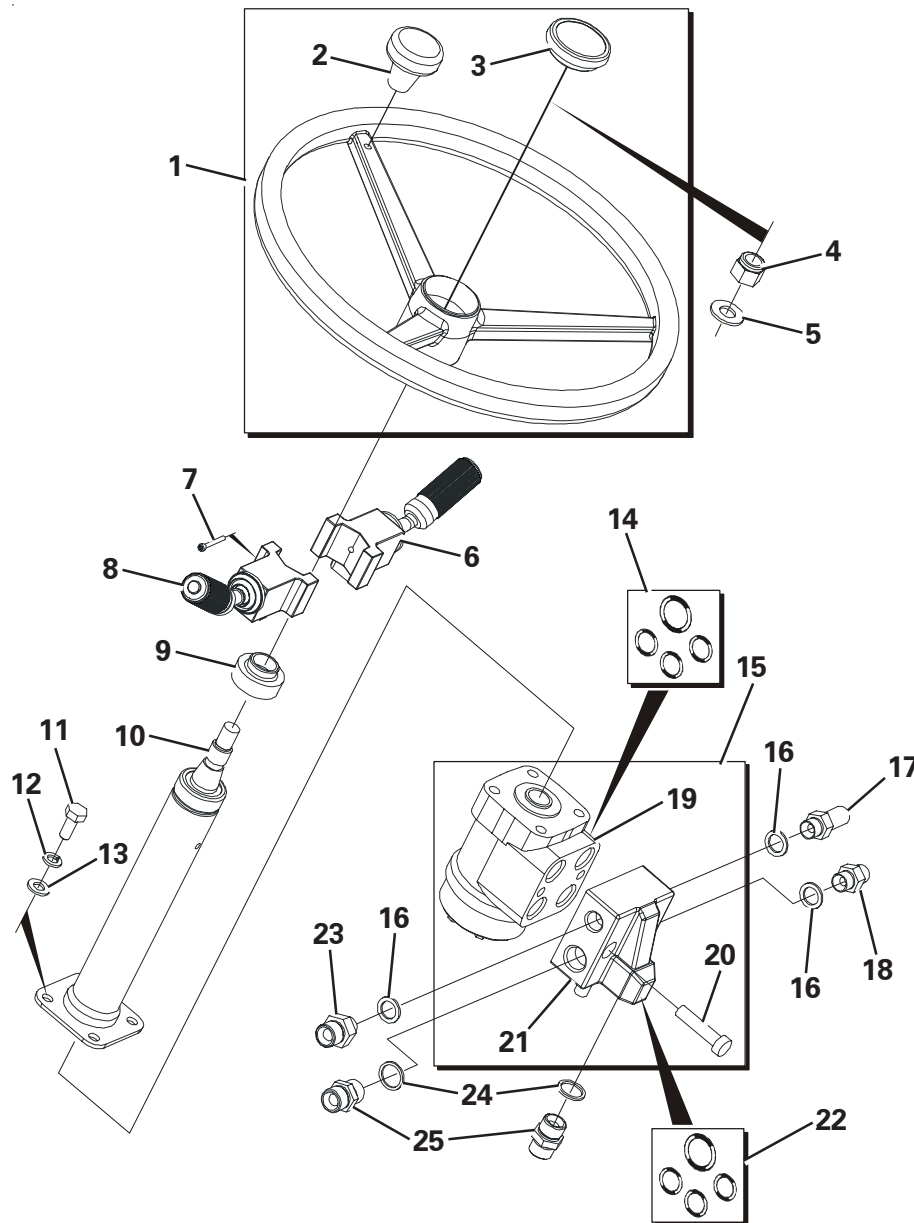
DASH PANEL ASSEMBLY

| Item | Part No. | Description | Qty | U/M |
|------|----------|-------------------------------|-----|-----|
| 1 | T100315 | DOME HEAD SCREW | 4.0 | EA |
| 2 | T13911 | WASHER | 4.0 | EA |
| 3 | T101761 | DASH PANEL ASSY | 1.0 | EA |
| 4 | T52302 | HORN PUSH | 1.0 | EA |
| 5 | T100635 | CONSOLE DECAL | 1.0 | EA |
| 6 | T101099 | DASH PANEL | 1.0 | EA |
| 7 | T101131 | CIRCUIT BREAKER 18AMP | 4.0 | EA |
| 8 | T101133 | CIRCUIT BREAKER SPLASHGUARD | 6.0 | EA |
| 9 | T52448 | MOUNTING PANEL GASKET | 1.0 | EA |
| 10 | T52446 | SWITCH MOUNTING PANEL | 2.0 | EA |
| 11 | T52304 | SWITCH BLANK SEAL | 2.0 | EA |
| 12 | T52461 | HAZARD SWITCH | 1.0 | EA |
| 13 | T52445 | BEACON SWITCH | 1.0 | EA |
| 14 | T101760 | PANEL HARNESS | 1.0 | EA |
| 15 | T52724 | DIODE | 1.0 | EA |
| 16 | T52307 | IGNITION SWITCH | 1.0 | EA |
| 17 | T50479 | STARTER SWITCH KEY | 1.0 | EA |
| 18 | T52311 | INDEX PLATE | 1.0 | EA |
| 19 | T100902 | BUZZER | 1.0 | EA |
| 20 | T101135 | SCREW | 4.0 | EA |
| 21 | T101128 | LED MODULE | 1.0 | EA |
| 22 | T101149 | CIRCUIT BREAKER 5AMP | 2.0 | EA |
| 23 | T101129 | RELAY | 3.0 | EA |
| 24 | T101134 | SCREW | 4.0 | EA |
| 25 | T101130 | FLASHER UNIT | 1.0 | EA |
| 26 | T16611 | CHEESE HEAD SCREW | 2.0 | EA |
| 27 | T52726 | STOP SOLENOID - TIMER | 1.0 | EA |
| 28 | T16612 | WASHER | 2.0 | EA |
| 29 | T16613 | NYLOC NUT | 2.0 | EA |
| 30 | T101778 | IGNITION SWITCH BACKING PLATE | 1.0 | EA |
| 31 | T52725 | GLOW PLUG - TIMER | 1.0 | EA |



Dash Panel Assembly - Hydrostatic - Tier 2

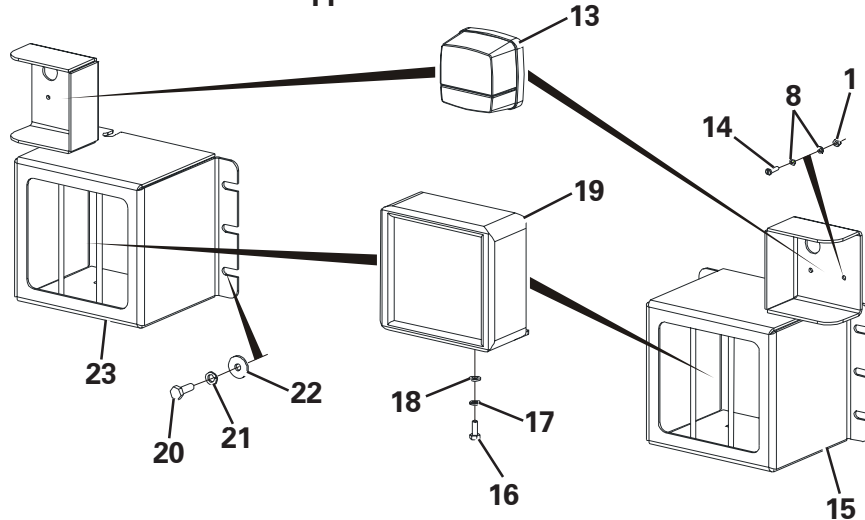
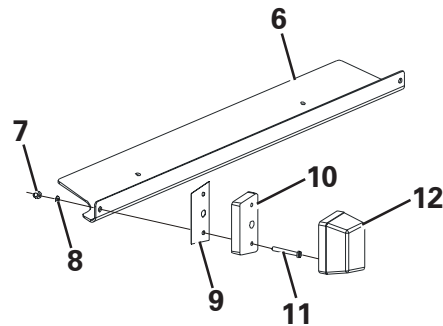
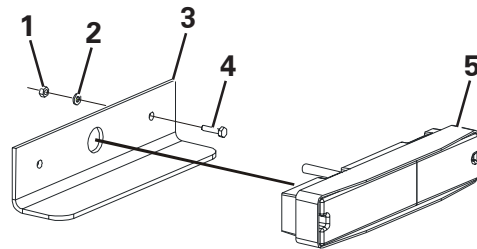
STEERING ASSEMBLY



| Item | Part No. | Description | Qty | U/M |
|------|----------|-------------------------|-----|-----|
| 1 | T100496 | STEERING WHEEL & CAP | 1.0 | EA |
| 2 | T52520 | SPINNER KNOB | 1.0 | EA |
| 3 | T50541 | CENTRE CAP | 1.0 | EA |
| 4 | T100690 | NYLOC NUT | 1.0 | EA |
| 5 | T6765 | WASHER | 1.0 | EA |
| 6 | T100037 | COLUMN SWITCH LIGHTS | 1.0 | EA |
| 7 | T100742 | SOCKET HEAD CAP SCREW | 2.0 | EA |
| 8 | T100628 | COLUMN SWITCH | 1.0 | EA |
| 9 | T52517 | END CAP | 1.0 | EA |
| 10 | T100015 | STEERING COLUMN | 1.0 | EA |
| 11 | T7466 | SET SCREW | 4.0 | EA |
| 12 | T13362 | SPRING WASHER | 4.0 | EA |
| 13 | T15819 | WASHER | 4.0 | EA |
| 14 | T51661 | SEAL KIT | 1.0 | EA |
| 15 | T18781 | STEERING/PRIORITY VALVE | 1.0 | EA |
| 16 | T5637 | DOWTY WASHER | 3.0 | EA |
| 17 | T100392 | ADAPTOR | 1.0 | EA |
| 18 | T13606 | ADAPTOR | 1.0 | EA |
| 19 | T18601 | STEERING VALVE | 1.0 | EA |
| 20 | T52378 | SCREW | 2.0 | EA |
| 21 | T18602 | PRIORITY VALVE | 1.0 | EA |
| 22 | T51662 | SEAL KIT | 1.0 | EA |
| 23 | T11165 | ADAPTOR | 1.0 | EA |
| 24 | T5596 | DOWTY WASHER | 2.0 | EA |
| 25 | T13936 | ADAPTOR | 2.0 | EA |

Steering Assembly - Hydrostatic - Tier 2

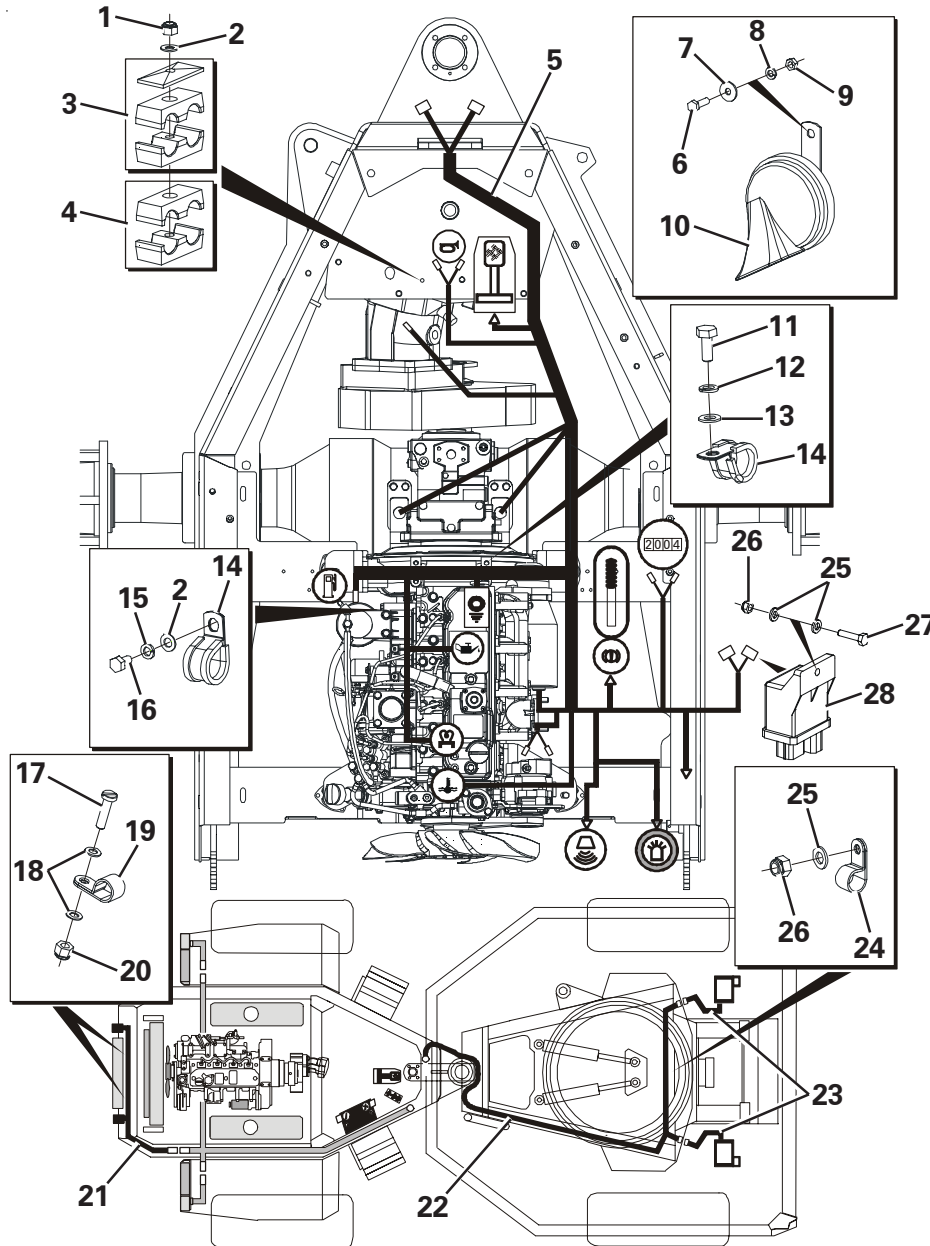
FRONT & REAR LIGHT ASSEMBLY



| Item | Part No. | Description | Qty | U/M |
|------|----------|---------------------------|------|-----|
| 1 | T10431 | NUT | 4.0 | EA |
| 2 | T10418 | SHAKEPROOF WASHER | 4.0 | EA |
| 3 | T100328 | LIGHT BRACKET | 2.0 | EA |
| 4 | T16476 | SET SCREW | 4.0 | EA |
| 5 | T100108 | REAR LIGHT CLUSTER | 2.0 | EA |
| | T52943 | REAR LAMP LENS | 2.0 | EA |
| 6 | T102269 | BOTTOM BAFFLE PLATE | 1.0 | EA |
| 7 | T16957 | NYLOC NUT | 4.0 | EA |
| 8 | T11440 | WASHER | 12.0 | EA |
| 9 | T16775 | NUMBER PLATE LIGHT GASKET | 2.0 | EA |
| 10 | T16774 | NUMBER PLATE LIGHT PLINTH | 2.0 | EA |
| 11 | T16675 | CHEESE HEAD SCREW | 4.0 | EA |
| 12 | T16773 | NUMBER PLATE LAMP | 2.0 | EA |
| 13 | T13586 | SIDE LT/FRONT INDICATOR | 2.0 | EA |
| | T13716 | FRONT SIDE/IND LIGHT LENS | 2.0 | EA |
| 14 | T19233 | CHEESE HEAD SCREW | 4.0 | EA |
| 15 | T101752 | LIGHT BRKT LH | 1.0 | EA |
| 16 | T10917 | SET SCREW | 4.0 | EA |
| 17 | T14837 | SPRING WASHER | 4.0 | EA |
| 18 | T13911 | WASHER | 4.0 | EA |
| 19 | T100438 | HEADLIGHT (CON) | 2.0 | EA |
| | T52944 | HEADLAMP UNIT (CON) | 2.0 | EA |
| | T100425 | HEADLIGHT (UK) | 2.0 | EA |
| | T52945 | HEADLAMP UNIT (UK) | 2.0 | EA |
| 20 | T12694 | SET SCREW | 8.0 | EA |
| 21 | T12972 | SPRING WASHER | 8.0 | EA |
| 22 | T9345 | HEAVY DUTY WASHER | 8.0 | EA |
| 23 | T101753 | LIGHT BRKT RH | 1.0 | EA |

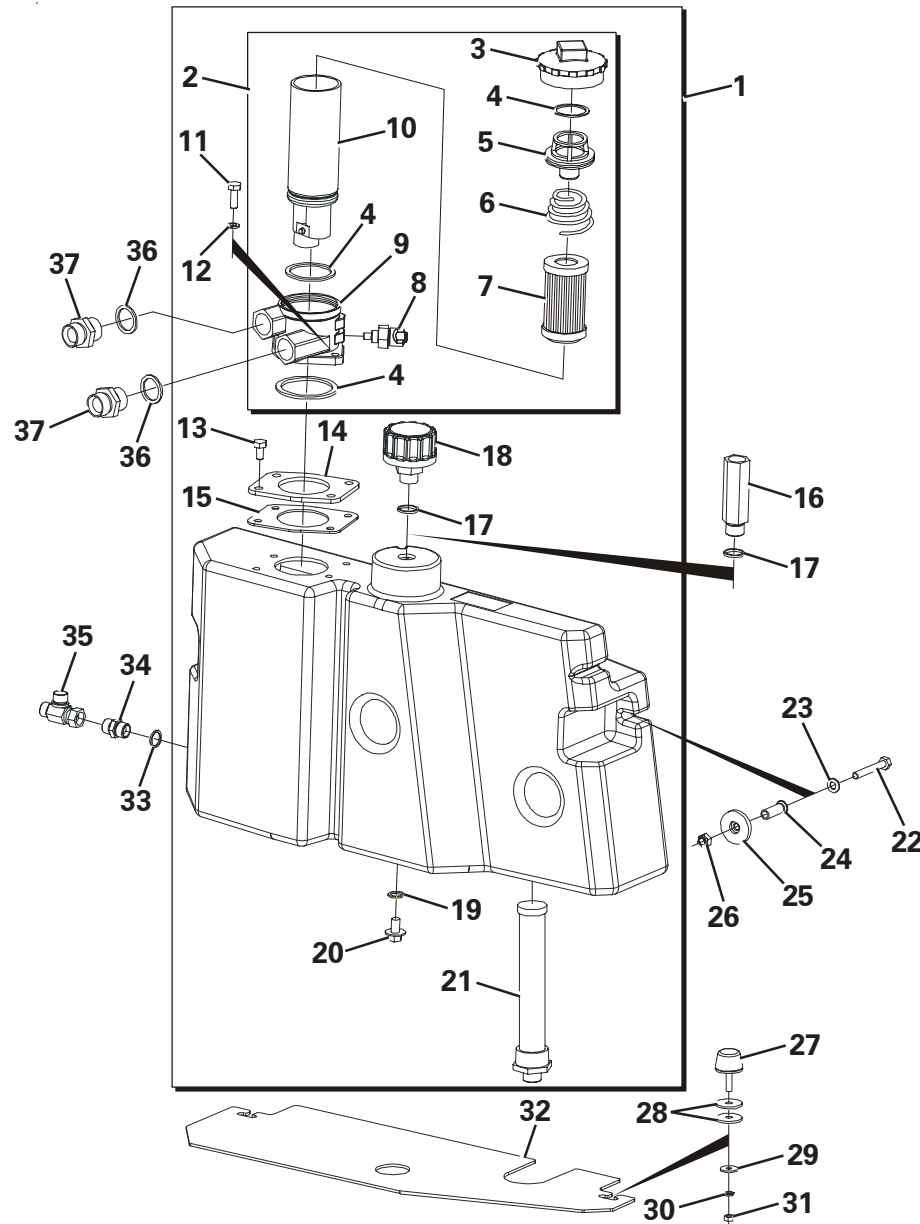
ENGINE AND LIGHT HARNESS

| Item | Part No. | Description | Qty | U/M |
|------|----------|-------------------------|-----|-----|
| 1 | T13457 | NYLOC NUT | 1.0 | EA |
| 2 | T12973 | WASHER | 2.0 | EA |
| 3 | T100807 | HOSE CLAMP | 1.0 | EA |
| 4 | T19114 | PIPE CLAMP | 1.0 | EA |
| 5 | T101757 | ENGINE HARNESS | 1.0 | EA |
| 6 | T16477 | SET SCREW | 1.0 | EA |
| 7 | T15830 | HEAVY DUTY WASHER | 1.0 | EA |
| 8 | T14837 | SPRING WASHER | 1.0 | EA |
| 9 | T10431 | NUT | 1.0 | EA |
| 10 | T100017 | HORN | 1.0 | EA |
| 11 | T7466 | SET SCREW | 1.0 | EA |
| 12 | T13362 | SPRING WASHER | 1.0 | EA |
| 13 | T10734 | HEAVY DUTY WASHER | 1.0 | EA |
| 14 | T9914 | P CLIP | 2.0 | EA |
| 15 | T12972 | SPRING WASHER | 1.0 | EA |
| 16 | T11673 | SET SCREW | 1.0 | EA |
| 17 | T19233 | CHEESE HEAD SCREW | 2.0 | EA |
| 18 | T11440 | WASHER | 4.0 | EA |
| 19 | T9078 | P CLIP | 2.0 | EA |
| 20 | T16957 | NYLOC NUT | 2.0 | EA |
| 21 | T100252 | NUMBER PLATE HARNESS | 1.0 | EA |
| 22 | T100659 | FRONT LIGHT HARNESS | 1.0 | EA |
| 23 | T100250 | FRONT LIGHT SUB HARNESS | 2.0 | EA |
| 24 | T100989 | P CLIP | 5.0 | EA |
| 25 | T16612 | WASHER | 7.0 | EA |
| 26 | T16613 | NYLOC NUT | 6.0 | EA |
| 27 | T16610 | CHEESE HEAD SCREW | 1.0 | EA |
| 28 | T101777 | SAFETY RELAY | 1.0 | EA |



Engine Harness - Hydrostatic - Tier 2

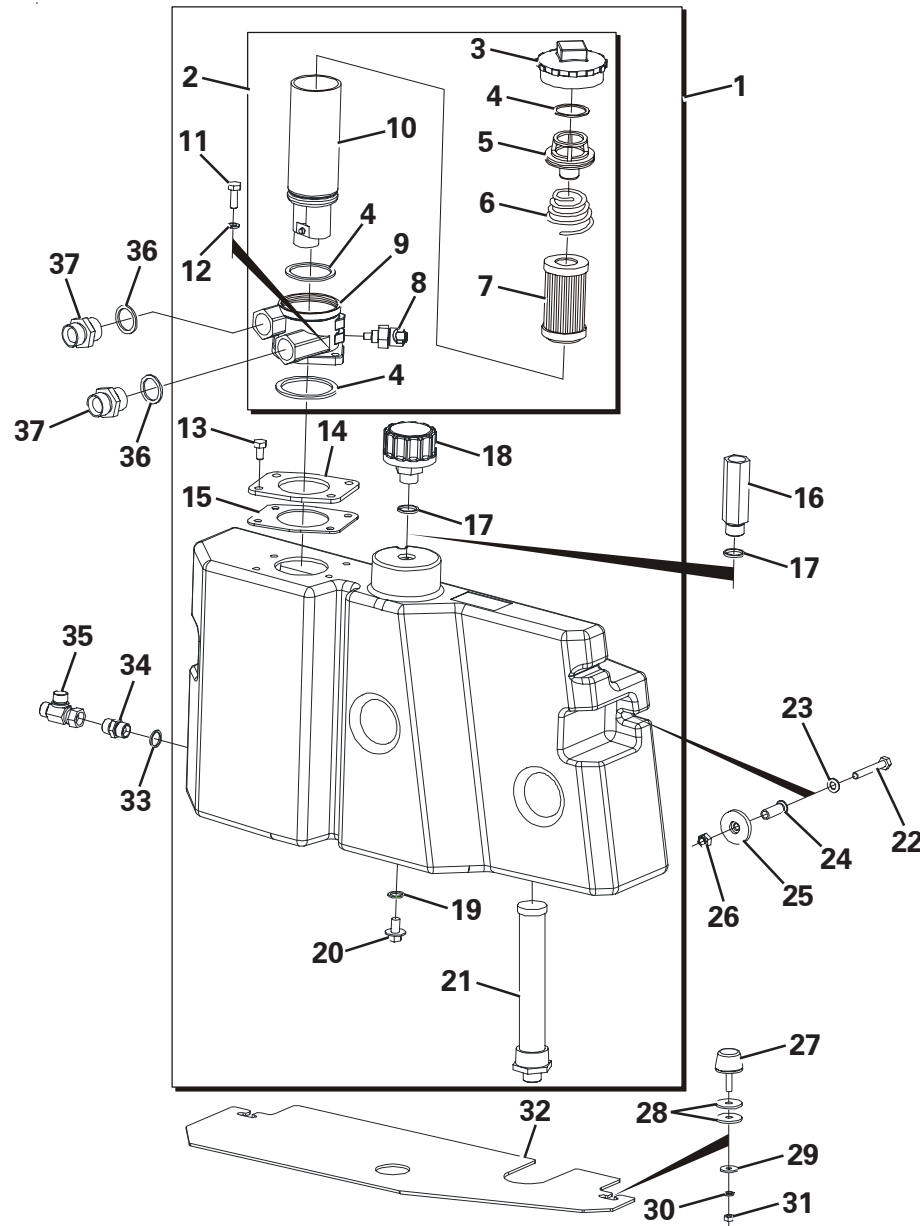
HYDRAULIC TANK ASSEMBLY



| Item | Part No. | Description | Qty | U/M |
|------|----------|----------------------------|-----|-----|
| 1 | T100373 | PLASTIC HYD TANK | 1.0 | EA |
| 2 | T52497 | RETURN FILTER | 1.0 | EA |
| 3 | T52948 | COVER | 1.0 | EA |
| 4 | T52954 | SEAL KIT | 1.0 | EA |
| 5 | T52949 | SEPERATION PLATE | 1.0 | EA |
| 6 | T52950 | SPRING | 1.0 | EA |
| 7 | T52692 | HYDRAULIC FILTER | 1.0 | EA |
| 8 | T52953 | INDICATOR | 1.0 | EA |
| 9 | T52952 | HEAD | 1.0 | EA |
| 10 | T52951 | BOWL | 1.0 | EA |
| 11 | T52599 | FIXING BOLT | 2.0 | EA |
| 12 | T13362 | SPRING WASHER | 2.0 | EA |
| 13 | T52598 | FIXING BOLT | 2.0 | EA |
| 14 | T52814 | FILTER SEALING PLATE | 1.0 | EA |
| 15 | T52495 | FILTER SEALING GASKET | 1.0 | EA |
| 16 | T101634 | BREATHER EXTENSION FITTING | 1.0 | EA |
| 17 | T5594 | DOWTY WASHER | 1.0 | EA |
| 18 | T52496 | FILLER / BREATHER | 1.0 | EA |
| 19 | T52588 | FIBRE WASHER | 1.0 | EA |

Hydraulic Tank - Hydrostatic - Tier 2

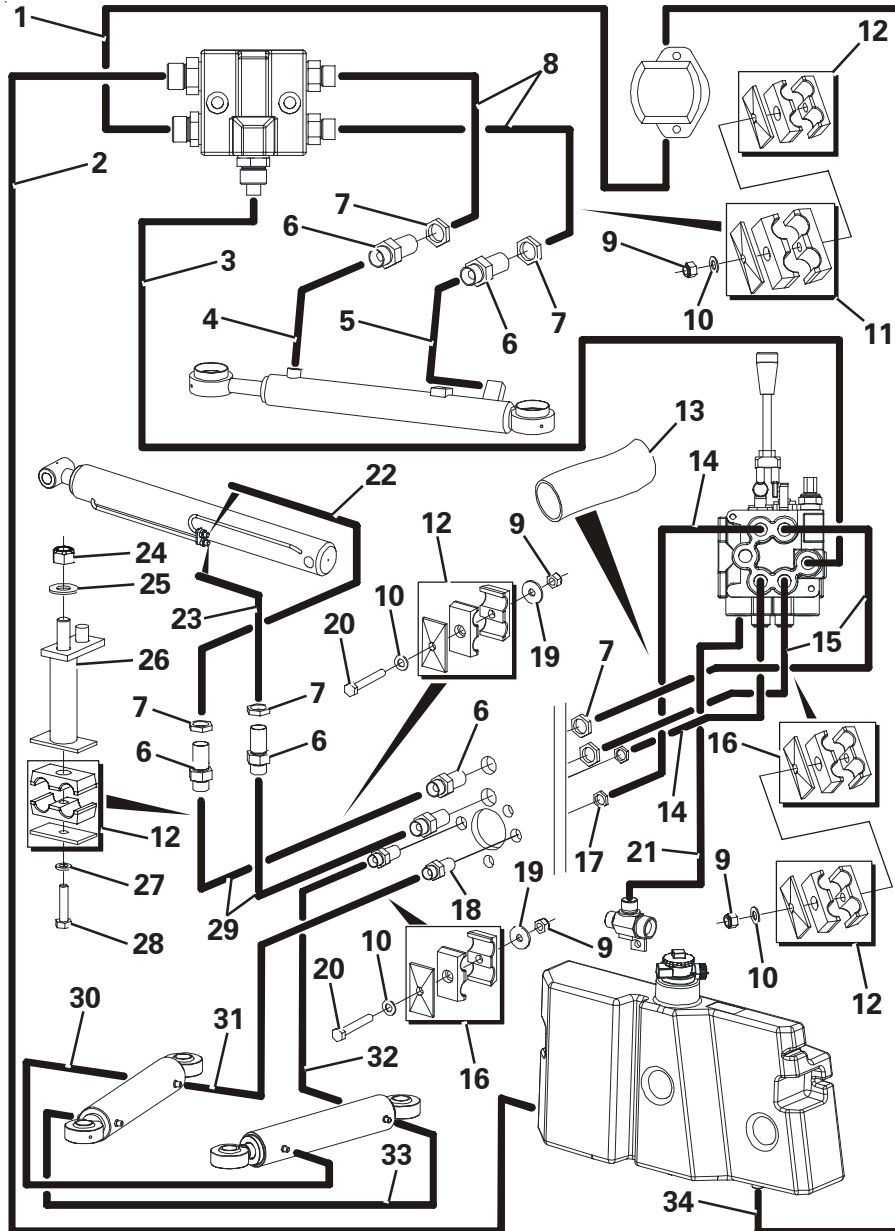
HYDRAULIC TANK ASSEMBLY



| Item | Part No. | Description | Qty | U/M |
|------|----------|----------------------|-----|-----|
| 20 | T52282 | DRAIN PLUG | 1.0 | EA |
| 21 | T101240 | SUCTION STRAINER | 1.0 | EA |
| 22 | T17963 | BOLT | 2.0 | EA |
| 23 | T10734 | HEAVY DUTY WASHER | 2.0 | EA |
| 24 | T100372 | TANK SPACER | 2.0 | EA |
| 25 | T100323 | RUBBER BACKED WASHER | 2.0 | EA |
| 26 | T13064 | PHILIDAS NUT | 2.0 | EA |
| 27 | T100214 | RUBBER BUFFER | 2.0 | EA |
| 28 | T8128 | HEAVY DUTY WASHER | 4.0 | EA |
| 29 | T9345 | HEAVY DUTY WASHER | 2.0 | EA |
| 30 | T12972 | SPRING WASHER | 2.0 | EA |
| 31 | T9775 | NUT | 2.0 | EA |
| 32 | T101241 | HYDRAULIC TANK GUARD | 1.0 | EA |
| 33 | T5596 | DOWTY WASHER | 1.0 | EA |
| 34 | T13936 | ADAPTOR | 1.0 | EA |
| 35 | T15532 | TEE PIECE | 1.0 | EA |
| 36 | T6169 | DOWTY WASHER | 2.0 | EA |
| 37 | T16972 | ADAPTOR | 2.0 | EA |

HYDRAULIC CIRCUIT - CONTROLS

| Item | Part No. | Description | Qty | U/M |
|------|----------|-------------|-----|-----|
| 1 | T100705 | HOSE | 1.0 | EA |
| 2 | T100706 | HOSE | 1.0 | EA |
| 3 | T100707 | HOSE | 1.0 | EA |
| 4 | T100729 | HOSE | 1.0 | EA |
| 5 | T100728 | HOSE | 1.0 | EA |
| 6 | T100392 | ADAPTOR | 6.0 | EA |
| 7 | T52552 | LOCKNUT | 6.0 | EA |
| 8 | T100708 | HOSE | 2.0 | EA |
| 9 | T13457 | NYLOC NUT | 4.0 | EA |
| 10 | T12973 | WASHER | 4.0 | EA |
| 11 | T19114 | PIPE CLAMP | 1.0 | EA |
| 12 | T100564 | PIPE CLAMP | 4.0 | EA |
| 13 | T100801 | HOSE SLEEVE | 1.0 | EA |
| 14 | T100710 | HOSE | 2.0 | EA |
| 15 | T100709 | HOSE | 2.0 | EA |
| 16 | T100565 | PIPE CLAMP | 2.0 | EA |
| 17 | T52551 | LOCKNUT | 2.0 | EA |

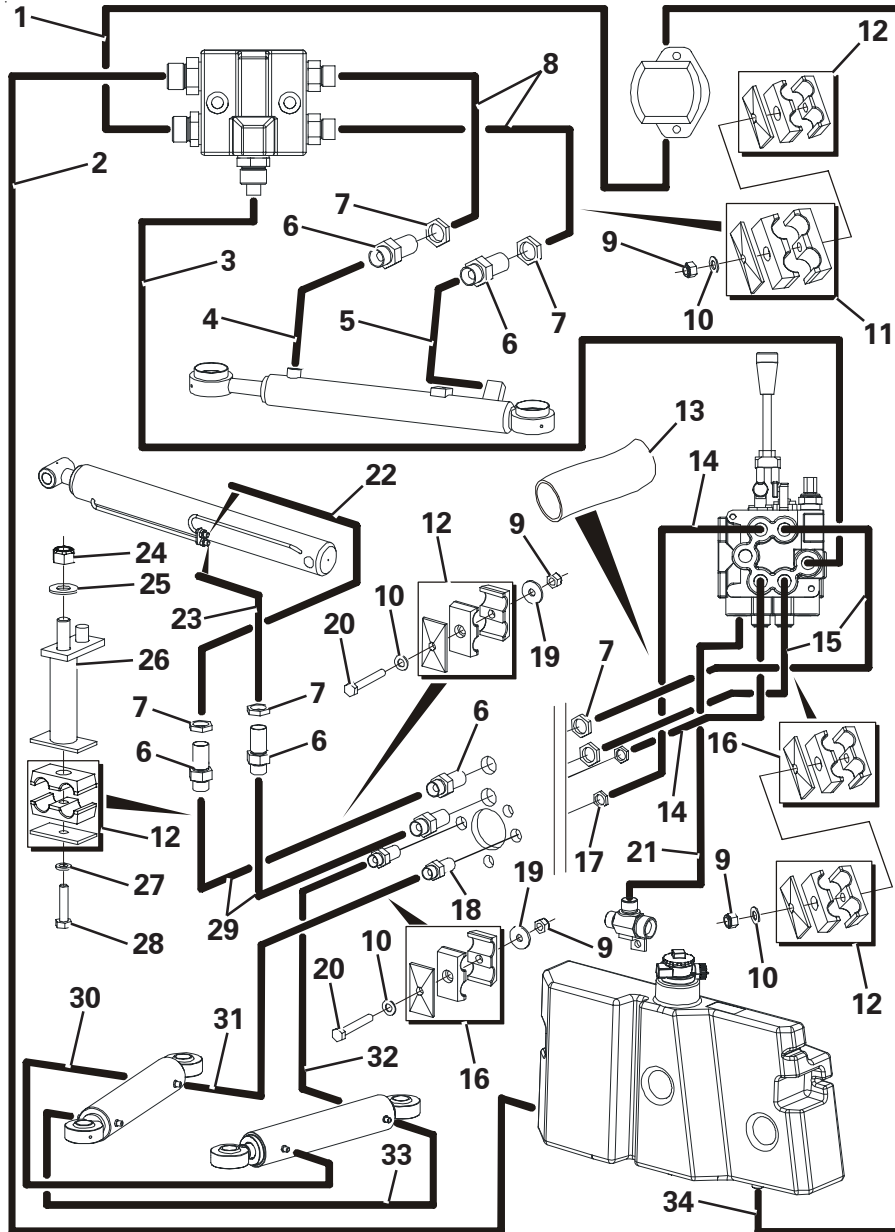


Hydraulic Circuit - Hydrostatic Powerswivel - Tier 2

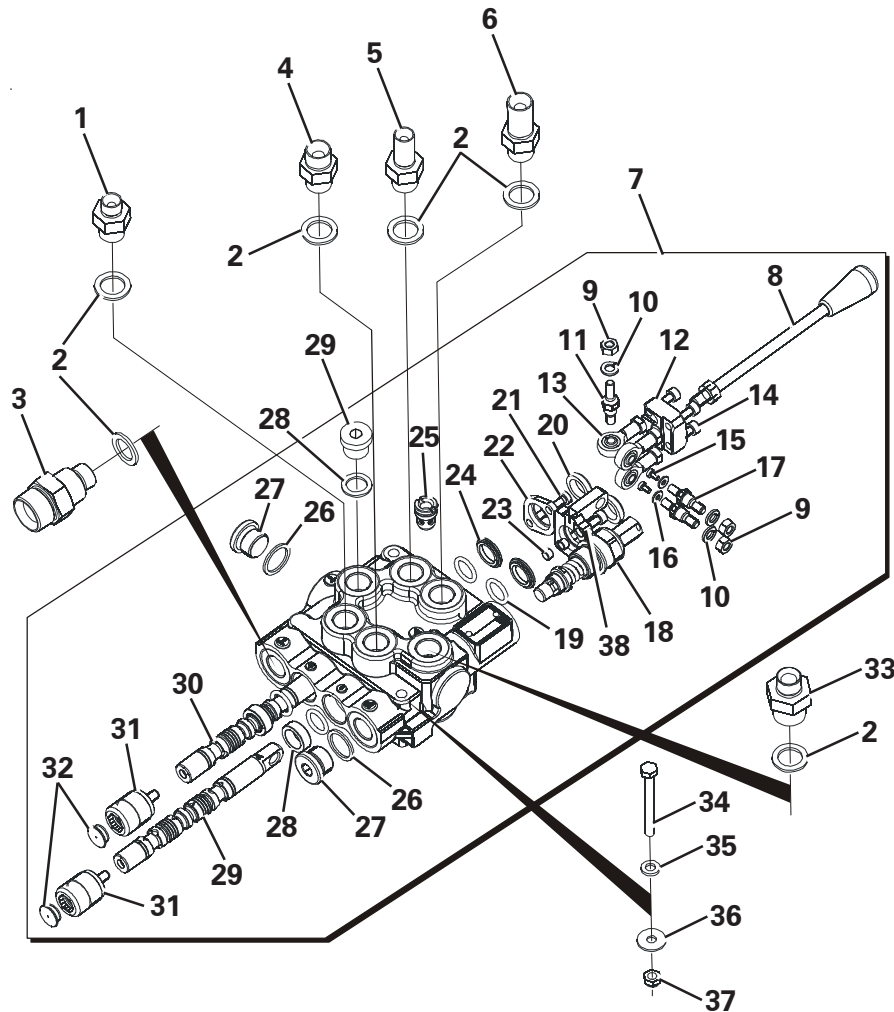
HYDRAULIC CIRCUIT - CONTROLS

| Item | Part No. | Description | Qty | U/M |
|------|----------|-------------------|-----|-----|
| 18 | T12483 | ADAPTOR | 2.0 | EA |
| 19 | T9345 | HEAVY DUTY WASHER | 2.0 | EA |
| 20 | T15326 | BOLT | 2.0 | EA |
| 21 | T101984 | HOSE | 1.0 | EA |
| 22 | T100724 | HOSE | 1.0 | EA |
| 23 | T100725 | HOSE | 1.0 | EA |
| 24 | T14283 | PHILIDAS NUT | 1.0 | EA |
| 25 | T14748 | HEAVY DUTY WASHER | 1.0 | EA |
| 26 | T100385 | HOSE SUPPORT | 1.0 | EA |
| 27 | T12972 | SPRING WASHER | 1.0 | EA |
| 28 | T14277 | BOLT | 1.0 | EA |
| 29 | T100721 | HOSE | 2.0 | EA |
| 30 | T100190 | HOSE | 1.0 | EA |
| 31 | T100723 | HOSE | 1.0 | EA |
| 32 | T100722 | HOSE | 1.0 | EA |
| 33 | T100189 | HOSE | 1.0 | EA |
| 34 | T100720 | HOSE | 1.0 | EA |

Hydraulic Circuit - Hydrostatic Powerswivel - Tier 2



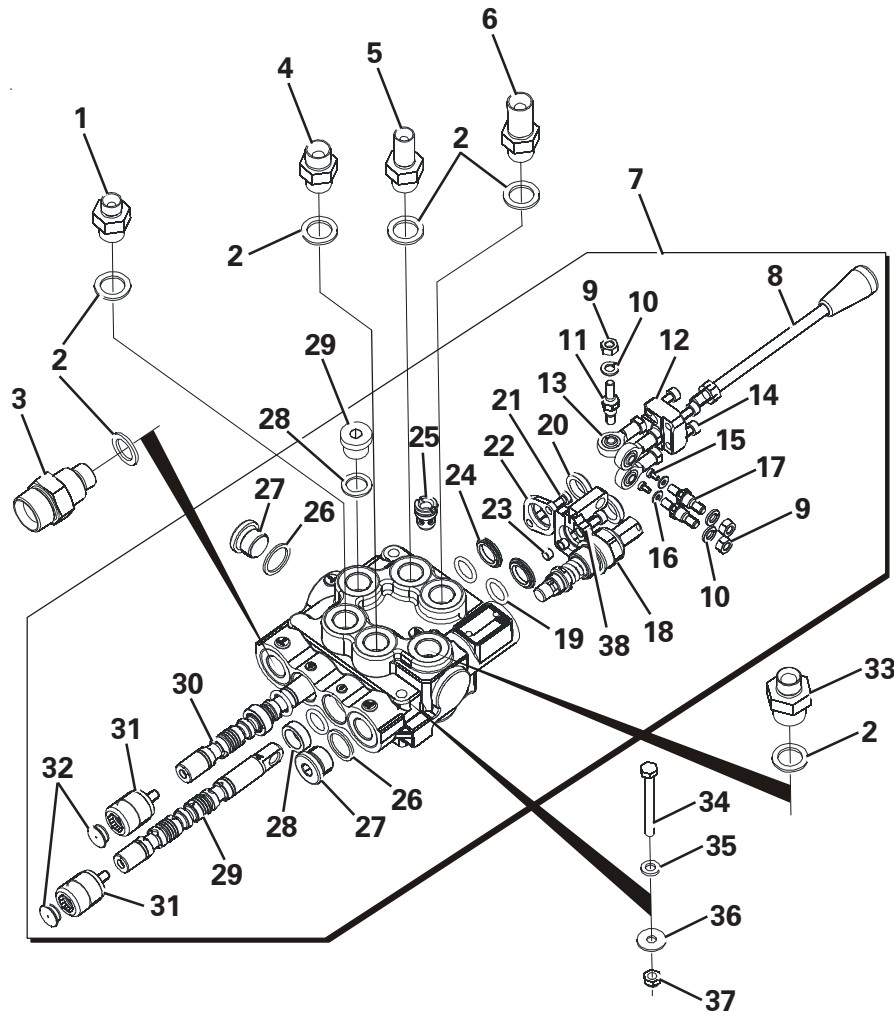
TIPPING VALVE ASSEMBLY



| Item | Part No. | Description | Qty | U/M |
|------|----------|----------------|-----|-----|
| 1 | T13888 | ADAPTOR | 1.0 | EA |
| 2 | T5637 | DOWTY WASHER | 6.0 | EA |
| 3 | T101324 | ADAPTOR | 1.0 | EA |
| 4 | T13606 | ADAPTOR | 1.0 | EA |
| 5 | T101243 | ADAPTOR | 1.0 | EA |
| 6 | T100392 | ADAPTOR | 1.0 | EA |
| 7 | T101115 | TIPPING VALVE | 1.0 | EA |
| 8 | T53352 | LEVER | 1.0 | EA |
| 9 | T53345 | NUT | 3.0 | EA |
| 10 | T53346 | SPRING WASHER | 3.0 | EA |
| 11 | T53347 | SPOOL JOYSTICK | 1.0 | EA |
| 12 | T53350 | PLATE JOYSTICK | 1.0 | EA |
| 13 | T53349 | SWIVEL PIN | 3.0 | EA |
| 14 | T53351 | SCREW | 5.0 | EA |
| 15 | T53343 | SOCKET SCREW | 2.0 | EA |
| 16 | T53344 | WASHER | 2.0 | EA |
| 17 | T53348 | SPOOL JOYSTICK | 2.0 | EA |
| 18 | T52674 | VALVE | 1.0 | EA |
| 19 | T53304 | SEAL | 4.0 | EA |

Tipping Valve Assembly - Powerswivel - Tier 2

TIPPING VALVE ASSEMBLY

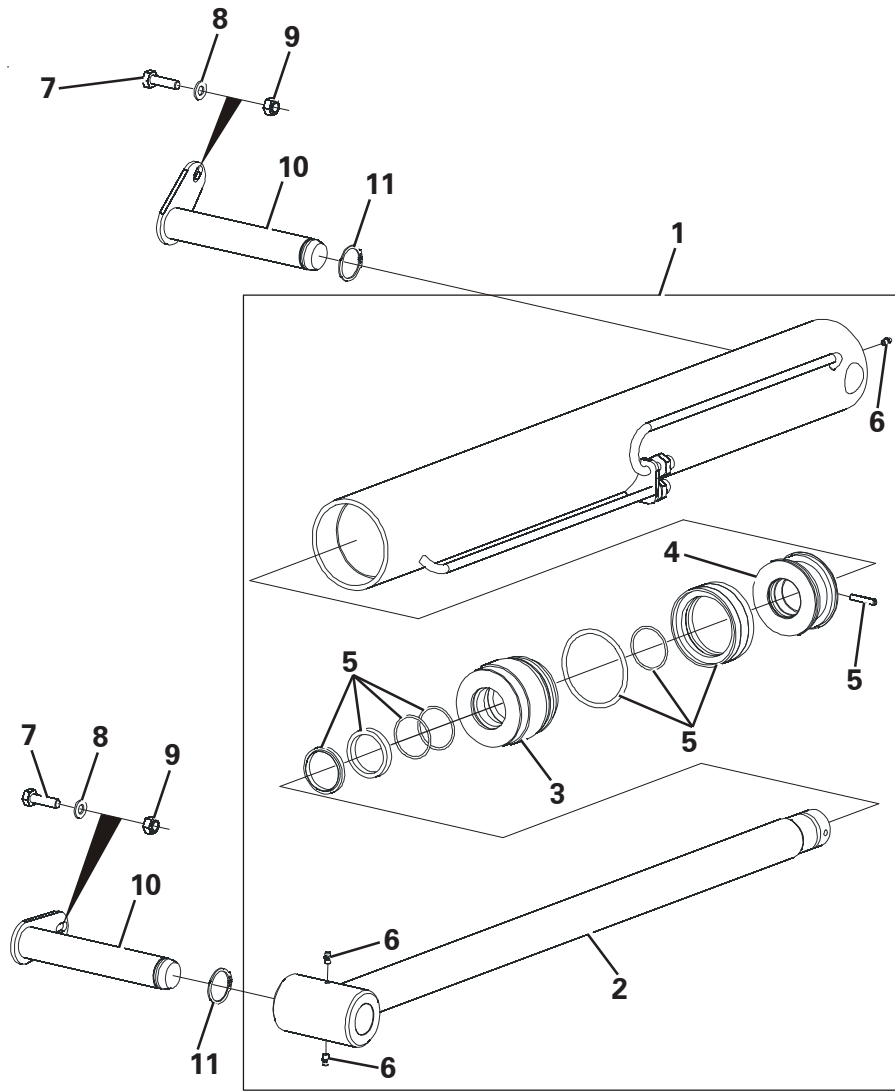


| Item | Part No. | Description | Qty | U/M |
|------|----------|----------------------|-----|-----|
| 20 | T53342 | SCRAPER | 2.0 | EA |
| 21 | T53339 | ONE-SLOT SCREW | 2.0 | EA |
| 22 | T53338 | FLANGED WASHER | 1.0 | EA |
| 23 | T53340 | DOWEL BUSH | 2.0 | EA |
| 24 | T53306 | FLANGED WASHER | 2.0 | EA |
| 25 | T53337 | CHECK VALVE ASSEMBLY | 1.0 | EA |
| 26 | T53336 | COPPER WASHER | 3.0 | EA |
| 27 | T53335 | SCREW PLUG | 3.0 | EA |
| 28 | T53305 | SPACER | 2.0 | EA |
| 29 | T53332 | SPOOL | 1.0 | EA |
| 30 | T53334 | SPOOL | 1.0 | EA |
| 31 | T53308 | POSITIONER | 2.0 | EA |
| 32 | T53333 | PLUG | 2.0 | EA |
| 33 | T11165 | ADAPTOR | 1.0 | EA |
| 34 | T17823 | BOLT | 2.0 | EA |
| 35 | T13911 | WASHER | 2.0 | EA |
| 36 | T15830 | HEAVY DUTY WASHER | 2.0 | EA |
| 37 | T16481 | NYLOC NUT | 2.0 | EA |
| 38 | T53341 | LEVER BASE | 1.0 | EA |

Tipping Valve Assembly - Powerswivel - Tier 2

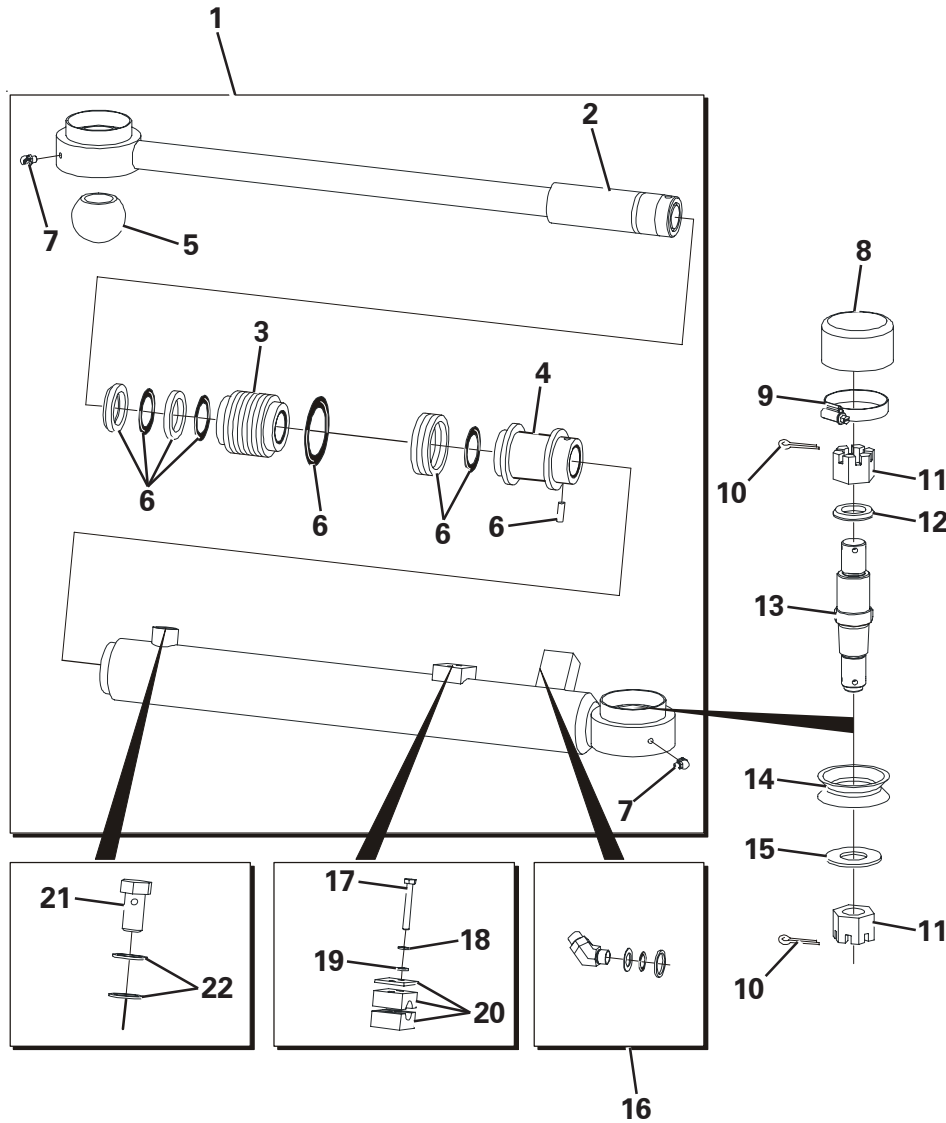
TIPPING RAM ASSEMBLY

| Item | Part No. | Description | Qty | U/M |
|------|----------|-------------------|-----|-----|
| 1* | T102136 | TIPPING RAM | 1.0 | EA |
| 2* | T53387 | ROD | 1.0 | EA |
| 3* | T53389 | GLAND | 1.0 | EA |
| 4* | T53390 | PISTON HEAD | 1.0 | EA |
| 5* | T53388 | SEAL KIT | 1.0 | EA |
| 6* | T20821 | GREASE NIPPLE | 3.0 | EA |
| 7 | T16505 | SET SCREW | 2.0 | EA |
| 8 | T10734 | HEAVY DUTY WASHER | 2.0 | EA |
| 9 | T13064 | PHILIDAS NUT | 2.0 | EA |
| 10 | T100089 | TIPPING RAM PIN | 2.0 | EA |
| 11 | T100098 | CIRCLIP | 2.0 | EA |



Tipping Ram - Powerswivel - Tier 2

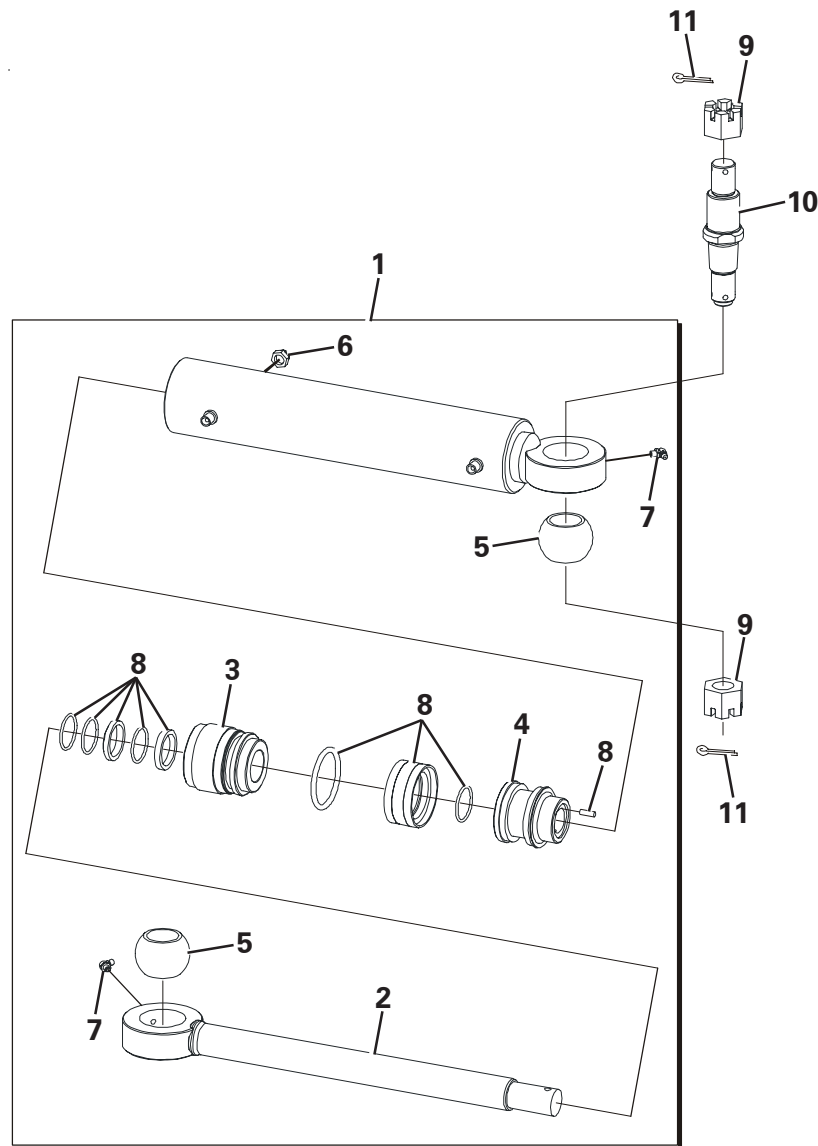
STEERING RAM ASSEMBLY



| Item | Part No. | Description | Qty | U/M |
|------|----------|-------------------|-----|-----|
| 1* | T102137 | STEER RAM | 1.0 | EA |
| 2* | T53378 | ROD | 1.0 | EA |
| 3* | T53381 | GLAND | 1.0 | EA |
| 4* | T53382 | PISTON HEAD | 1.0 | EA |
| 5* | T53379 | SPHERICAL BEARING | 2.0 | EA |
| 6* | T53380 | SEAL KIT | 1.0 | EA |
| 7* | T53406 | GREASE NIPPLE | 2.0 | EA |
| 8 | T100652 | RAM SEAL | 2.0 | EA |
| 9 | T7540 | JUBILEE CLIP | 2.0 | EA |
| 10 | T6751 | SPLIT PIN | 4.0 | EA |
| 11 | T100490 | SLOTTED NUT | 4.0 | EA |
| 12 | T100777 | PIN COLLAR | 2.0 | EA |
| 13 | T100483 | RAM PIN | 2.0 | EA |
| 14 | T100653 | RAM SEAL | 2.0 | EA |
| 15 | T6768 | WASHER | 2.0 | EA |
| 16 | T100775 | ELBOW | 1.0 | EA |
| 17 | T17155 | BOLT | 2.0 | EA |
| 18 | T14837 | SPRING WASHER | 2.0 | EA |
| 19 | T13911 | WASHER | 2.0 | EA |
| 20 | T100830 | PIPE CLAMP | 1.0 | EA |
| 21 | T52793 | BANJO BOLT | 1.0 | EA |
| 22 | T52794 | WASHER | 2.0 | EA |

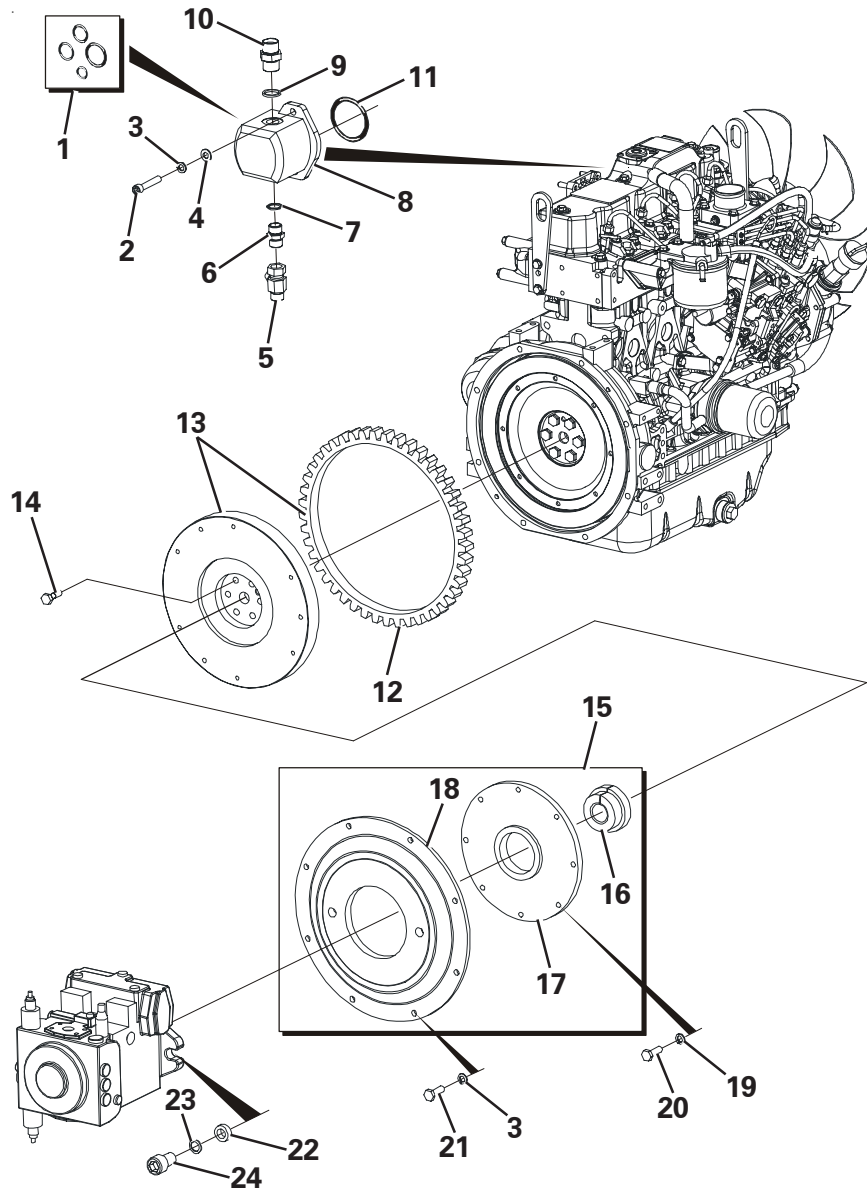
Steering Ram - Powerswivel - Tier 2

SLEW RAM ASSEMBLY



| Item | Part No. | Description | Qty | U/M |
|------|----------|-------------------|-----|-----|
| 1* | T102048 | SLEW RAM | 2.0 | EA |
| 2* | T53383 | ROD | 1.0 | EA |
| 3* | T53385 | GLAND | 1.0 | EA |
| 4* | T53386 | PISTON HEAD | 1.0 | EA |
| 5* | T53379 | SPHERICAL BEARING | 2.0 | EA |
| 6 | T17556 | BLANKING CAP | 2.0 | EA |
| 7* | T53406 | GREASE NIPPLE | 2.0 | EA |
| 8* | T53384 | SEAL KIT | 1.0 | EA |
| 9 | T100490 | SLOTTED NUT | 8.0 | EA |
| 10 | T100483 | RAM PIN | 4.0 | EA |
| 11 | T6751 | SPLIT PIN | 8.0 | EA |

TRANSMISSION DRIVE & HYD. PUMP

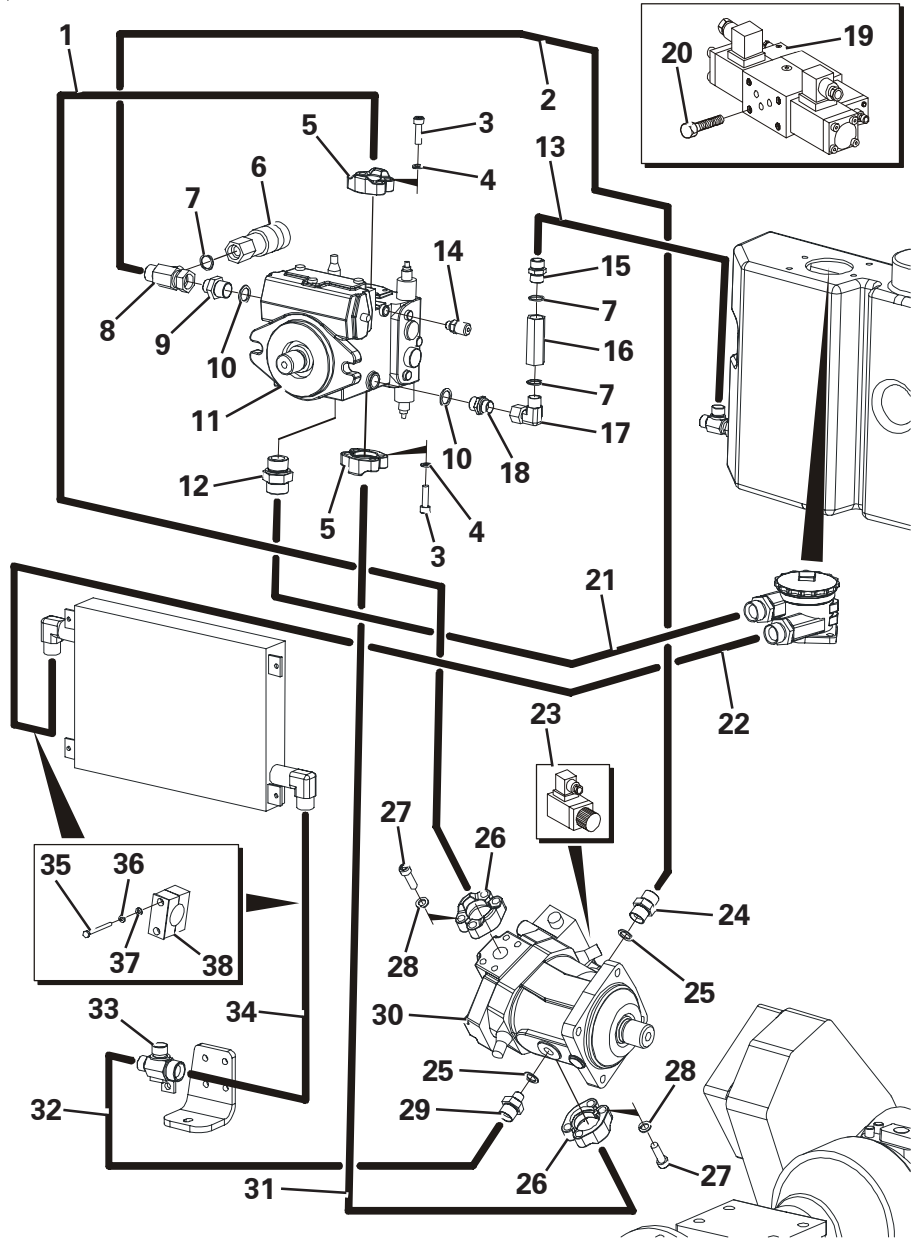


| Item | Part No. | Description | Qty | U/M |
|------|----------|-----------------------------|------|-----|
| 1 | T51601 | SEAL KIT | 1.0 | EA |
| 2 | T17969 | SOCKET HEAD CAP SCREW | 2.0 | EA |
| 3 | T13362 | SPRING WASHER | 10.0 | EA |
| 4 | T10734 | HEAVY DUTY WASHER | 2.0 | EA |
| 5 | T18008 | PRESSURE TEST POINT ADAPTOR | 1.0 | EA |
| 6 | T13936 | ADAPTOR | 1.0 | EA |
| 7 | T5596 | DOWTY WASHER | 1.0 | EA |
| 8 | T101976 | GEAR PUMP | 1.0 | EA |
| 9 | T5594 | DOWTY WASHER | 1.0 | EA |
| 10 | T8014 | ADAPTOR | 1.0 | EA |
| 11 | T52891 | O RING | 1.0 | EA |
| 12 | T52837 | RING GEAR | 1.0 | EA |
| 13 | T52836 | FLYWHEEL ASSEMBLY | 1.0 | EA |
| 14 | T52838 | BOLT | 6.0 | EA |
| 15 | T101117 | PUMP COUPLING | 1.0 | EA |
| 16 | T53165 | FLANGE | 1.0 | EA |
| 17 | T53166 | HUB | 1.0 | EA |
| 18 | T53167 | MOUNTING PLATE | 1.0 | EA |
| 19 | T12972 | SPRING WASHER | 8.0 | EA |
| 20 | T14152 | BOLT | 8.0 | EA |
| 21 | T7466 | SET SCREW | 8.0 | EA |
| 22 | T100794 | WASHER | 2.0 | EA |
| 23 | T20699 | SCHNORR WASHER | 2.0 | EA |
| 24 | T100795 | SOCKET HEAD CAP SCREW | 2.0 | EA |

Transmission Drive and Hyd Pump - Tier 2

HYDROSTATIC PUMP & MOTOR

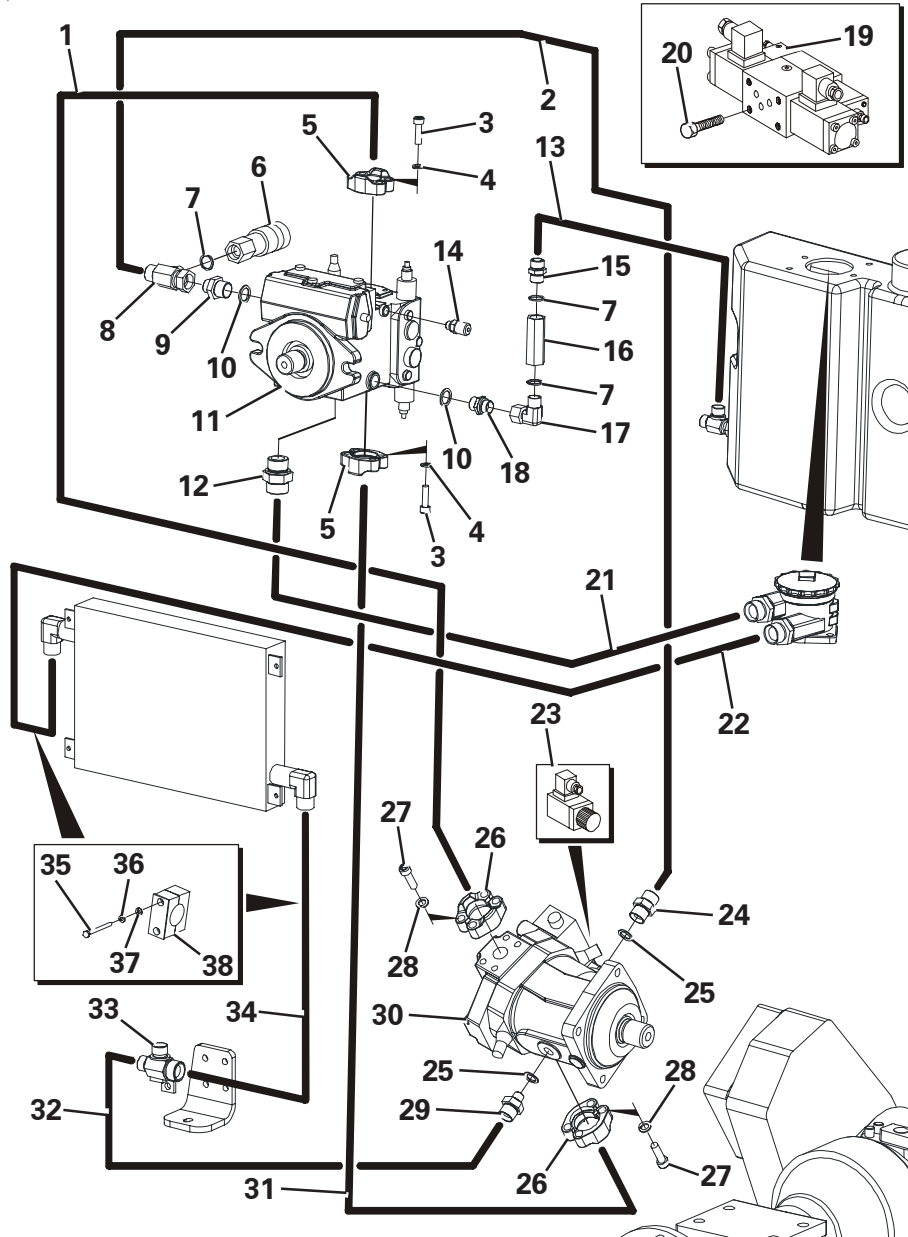
| Item | Part No. | Description | Qty | U/M |
|------|----------|----------------------------|-----|-----|
| 1 | T100713 | HOSE | 1.0 | EA |
| 2 | T100711 | HOSE | 1.0 | EA |
| 3 | T17842 | SOCKET HEAD CAP SCREW | 8.0 | EA |
| 4 | T13362 | SPRING WASHER | 8.0 | EA |
| 5 | T17760 | SPLIT FLANGE CLAMPS | 2.0 | EA |
| 6 | T17782 | FEMALE COUPLING | 1.0 | EA |
| 7 | T5596 | DOWTY WASHER | 3.0 | EA |
| 8 | T17481 | TEE PIECE | 1.0 | EA |
| 9 | T17724 | ADAPTOR | 1.0 | EA |
| 10 | T17769 | DOWTY WASHER | 2.0 | EA |
| 11 | T100339 | TRANSMISSION PUMP | 1.0 | EA |
| 12 | T100799 | ADAPTOR | 1.0 | EA |
| 13 | T100717 | HOSE | 1.0 | EA |
| 14 | T100681 | HYDRAULIC GAUGE TEST POINT | 1.0 | EA |
| 15 | T13936 | ADAPTOR | 1.0 | EA |
| 16 | T100683 | CHECK VALVE | 1.0 | EA |
| 17 | T100771 | ELBOW | 1.0 | EA |
| 18 | T20441 | ADAPTOR | 1.0 | EA |
| 19 | T52910 | DIRECTIONAL VALVE | 1.0 | EA |



Hydrostatic Pump and Motor - Tier 2

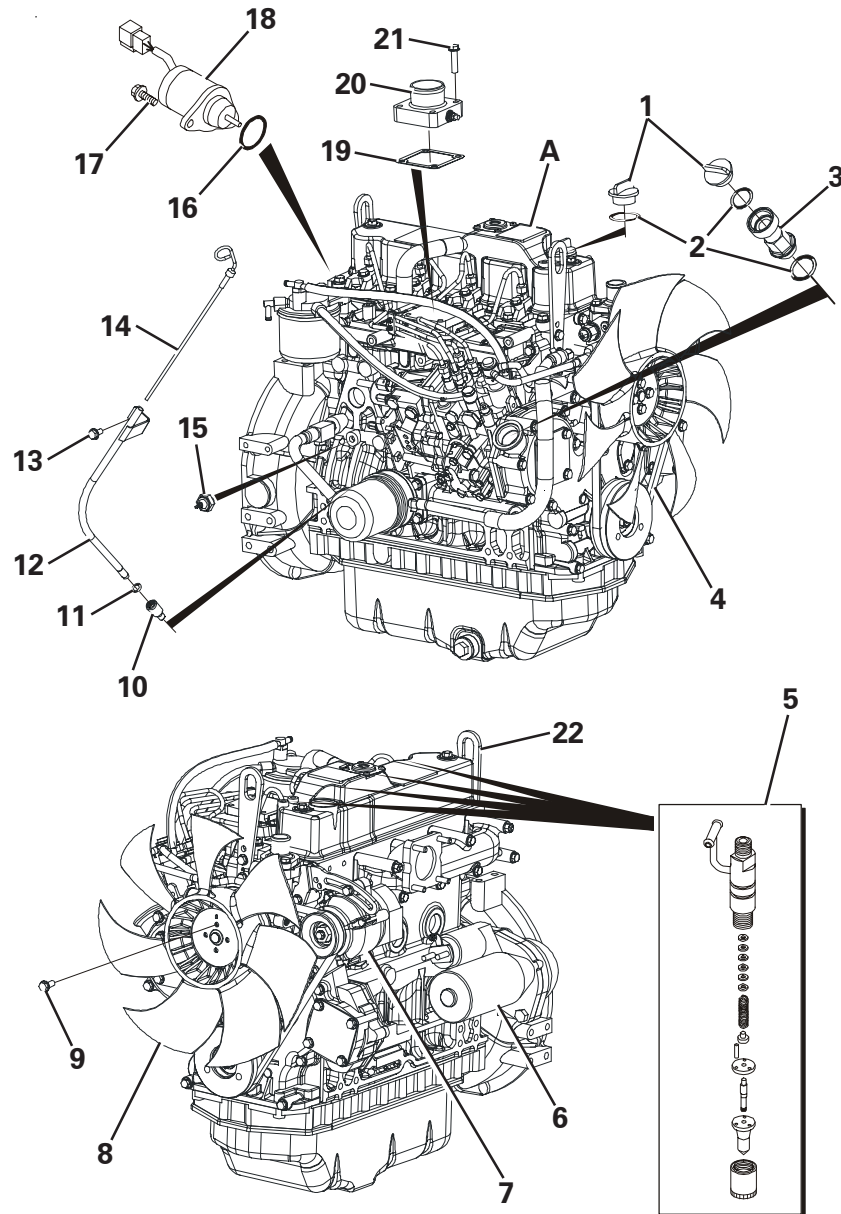
HYDROSTATIC PUMP & MOTOR

| Item | Part No. | Description | Qty | U/M |
|------|----------|-----------------------|-----|-----|
| 20 | T52911 | SOCKET HEAD SCREW | 4.0 | EA |
| 21 | T100716 | SUCTION HOSE | 1.0 | EA |
| 22 | T100715 | HOSE | 1.0 | EA |
| 23 | T52912 | SOLENOID | 1.0 | EA |
| 24 | T100770 | ADAPTOR | 1.0 | EA |
| 25 | T100797 | DOWTY WASHER | 2.0 | EA |
| 26 | T17761 | SPLIT FLANGE CLAMPS | 2.0 | EA |
| 27 | T16673 | SOCKET HEAD CAP SCREW | 8.0 | EA |
| 28 | T14080 | SPRING WASHER | 8.0 | EA |
| 29 | T100785 | CHECK VALVE | 1.0 | EA |
| 30 | T100340 | HYD MOTOR | 1.0 | EA |
| 31 | T100714 | HOSE | 1.0 | EA |
| 32 | T100712 | HOSE | 1.0 | EA |
| 33 | T100734 | SPECIAL TEE | 1.0 | EA |
| 34 | T100719 | HOSE | 1.0 | EA |
| 35 | T17920 | BOLT | 4.0 | EA |
| 36 | T14837 | SPRING WASHER | 4.0 | EA |
| 37 | T13911 | WASHER | 4.0 | EA |
| 38 | T100755 | SINGLE PIPE CLAMP | 2.0 | PR |



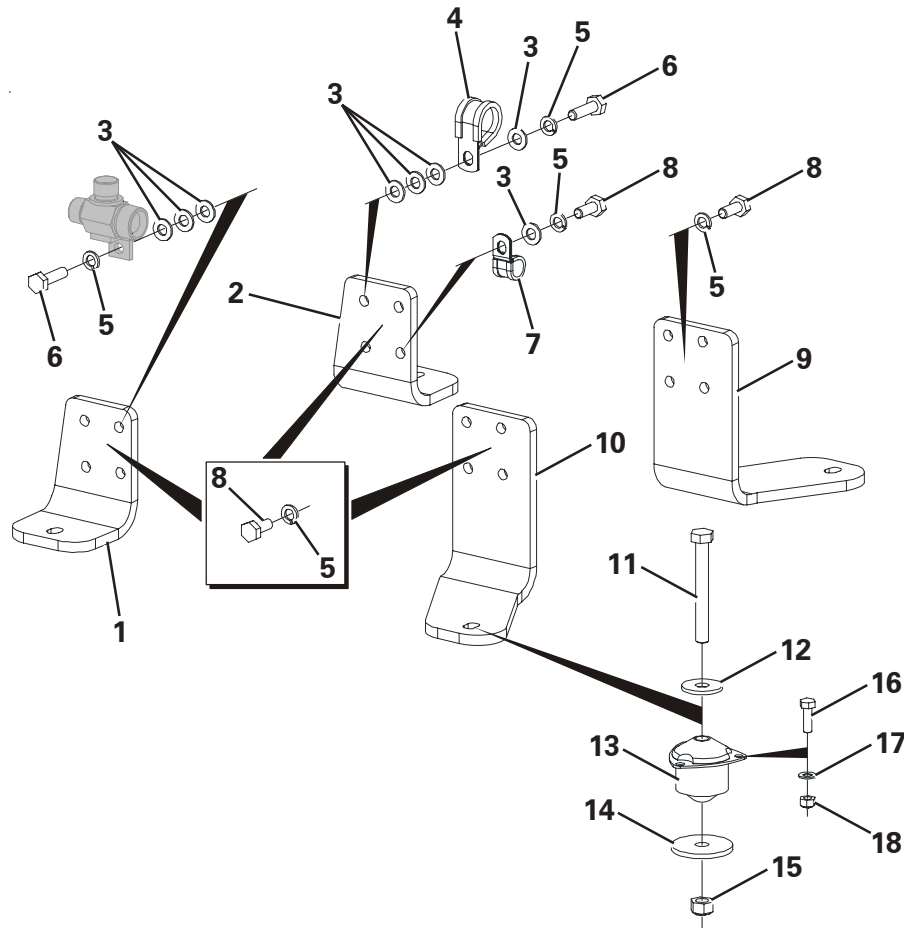
Hydrostatic Pump and Motor - Tier 2

ENGINE - ACCESSORIES



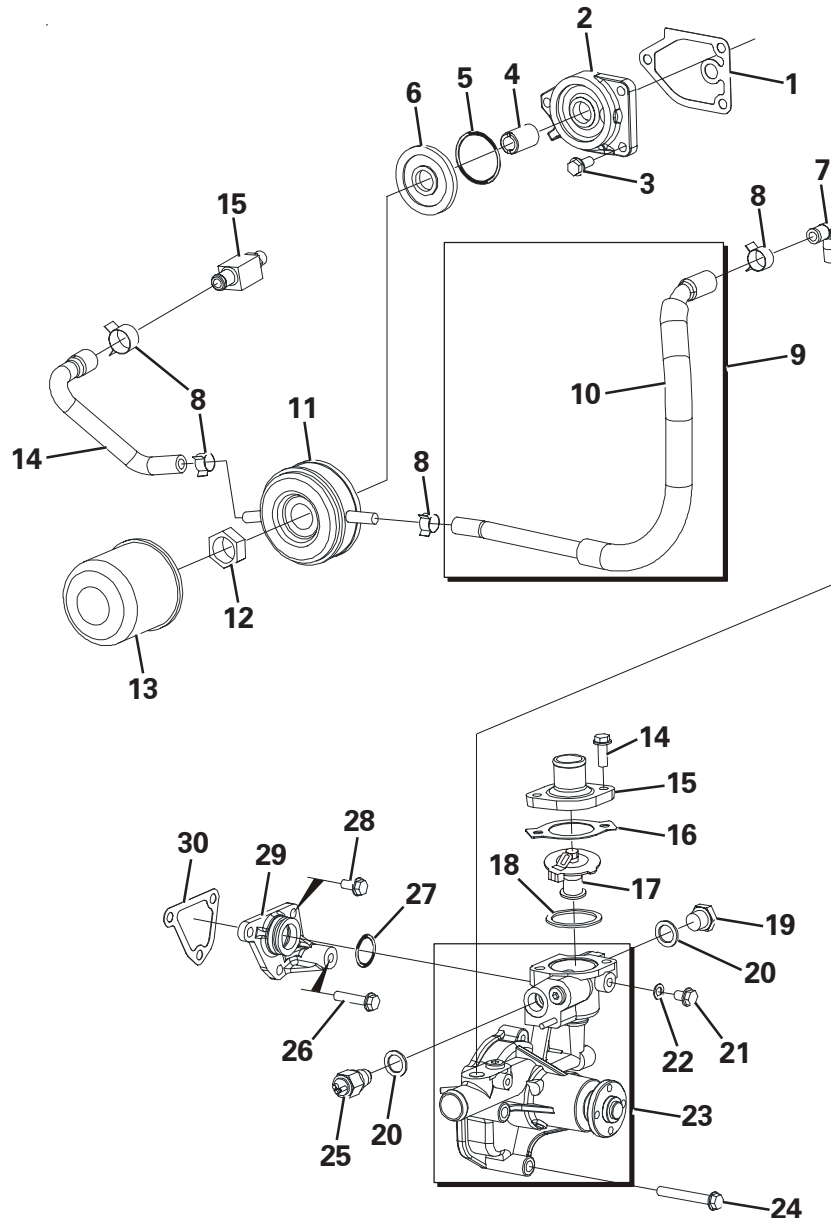
| Item | Part No. | Description | Qty | U/M |
|------|----------|---------------------|-----|-----|
| A* | T102295 | ENGINE | 1.0 | EA |
| 1 | T52816 | CAP | 2.0 | EA |
| 2 | T52819 | O RING | 3.0 | EA |
| 3 | T52818 | PIPE | 1.0 | EA |
| 4 | T52688 | BELT | 1.0 | EA |
| 5 | T53405 | FUEL INJECTOR | 4.0 | EA |
| 6 | T53330 | STARTER | 1.0 | EA |
| 7 | T53263 | GENERATOR | 1.0 | EA |
| 8 | T53320 | FAN | 1.0 | EA |
| 9 | T53321 | BOLT | 4.0 | EA |
| 10 | T52830 | GUIDE | 1.0 | EA |
| 11 | T52829 | O RING | 1.0 | EA |
| 12 | T53316 | GUIDE DIPSTICK | 1.0 | EA |
| 13 | T52842 | BOLT | 1.0 | EA |
| 14 | T53315 | DIPSTICK LUB OIL | 1.0 | EA |
| 15 | T52832 | OIL PRESSURE SWITCH | 1.0 | EA |
| 16 | T52834 | O RING | 1.0 | EA |
| 17 | T52835 | BOLT | 2.0 | EA |
| 18 | T52833 | STOP SOLENOID | 1.0 | EA |
| 19 | T52824 | GASKET | 1.0 | EA |
| 20 | T52823 | HEATER | 1.0 | EA |
| 21 | T52825 | BOLT | 4.0 | EA |
| 22 | T101247 | ENGINE LIFTING EYE | 1.0 | EA |

ENGINE MOUNTINGS



| Item | Part No. | Description | Qty | U/M |
|------|----------|-----------------------|------|-----|
| 1 | T102038 | FRONT ENGINE MOUNT LH | 1.0 | EA |
| 2 | T102037 | FRONT ENGINE MOUNT RH | 1.0 | EA |
| 3 | T10734 | HEAVY DUTY WASHER | 8.0 | EA |
| 4 | T9914 | P CLIP | 1.0 | EA |
| 5 | T13362 | SPRING WASHER | 16.0 | EA |
| 6 | T16505 | SET SCREW | 2.0 | EA |
| 7 | T11514 | P CLIP | 1.0 | EA |
| 8 | T7466 | SET SCREW | 14.0 | EA |
| 9 | T102035 | REAR ENGINE MOUNT RH | 1.0 | EA |
| 10 | T102036 | REAR ENGINE MOUNT LH | 1.0 | EA |
| 11 | T14819 | BOLT | 4.0 | EA |
| 12 | T6769 | HEAVY DUTY WASHER | 4.0 | EA |
| 13 | T14564 | ENGINE MOUNT | 4.0 | EA |
| 14 | T9046 | HEAVY DUTY WASHER | 4.0 | EA |
| 15 | T14283 | PHILIDAS NUT | 4.0 | EA |
| 16 | T12694 | SET SCREW | 12.0 | EA |
| 17 | T12973 | WASHER | 12.0 | EA |
| 18 | T19007 | PHILIDAS NUT | 12.0 | EA |

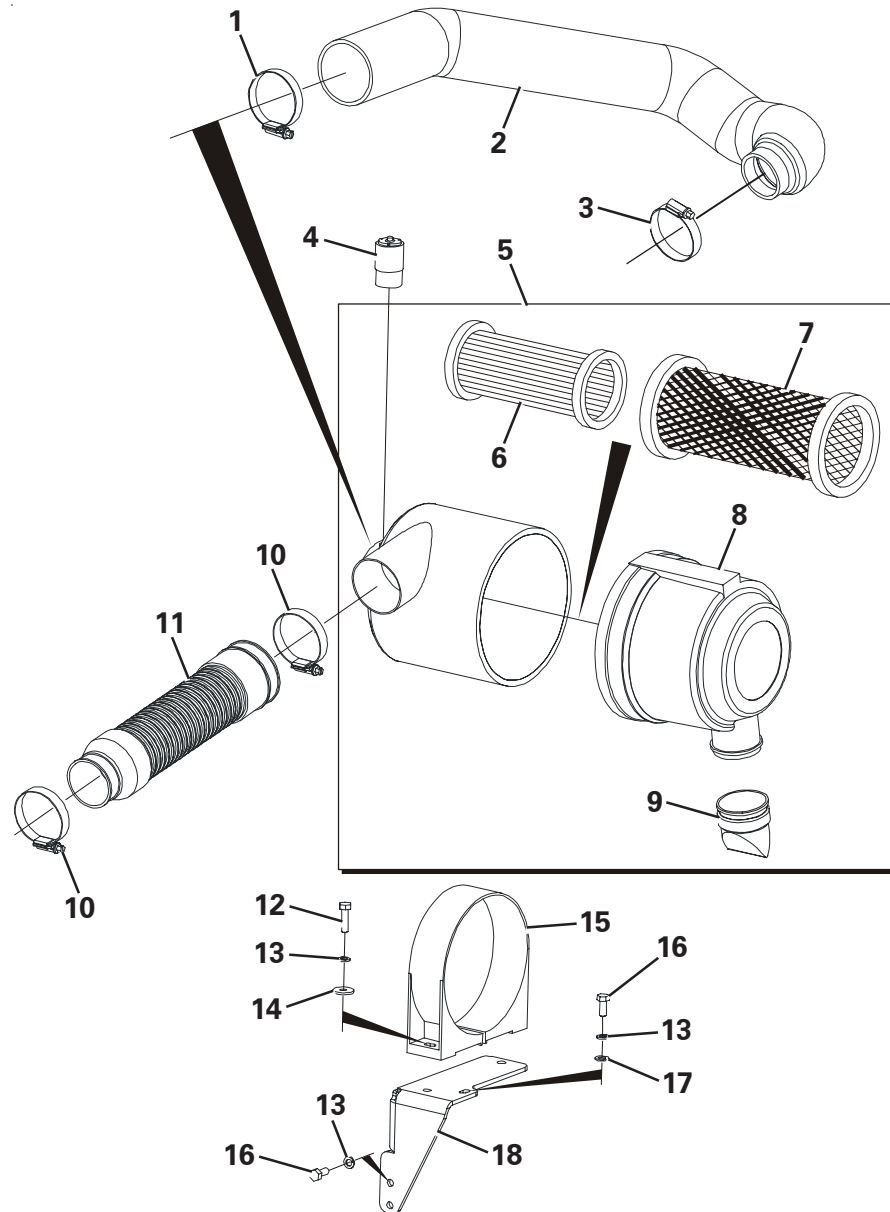
ENGINE OIL COOLER



| Item | Part No. | Description | Qty | U/M |
|------|----------|--------------------|-----|-----|
| 1 | T53046 | GASKET | 1.0 | EA |
| 2 | T53317 | BRACKET FILTER | 1.0 | EA |
| 3 | T53043 | BOLT | 3.0 | EA |
| 4 | T53398 | BOLT | 1.0 | EA |
| 5 | T53401 | O-RING | 1.0 | EA |
| 6 | T53399 | OIL COOLER BRACKET | 1.0 | EA |
| 7 | T52851 | ELBOW | 1.0 | EA |
| 8 | T53400 | CLAMP | 4.0 | EA |
| 9 | T53402 | PIPE | 1.0 | EA |
| 10 | T53403 | PROTECTOR | 1.0 | EA |
| 11 | T53397 | COOLER ASSY | 1.0 | EA |
| 12 | T53354 | NUT | 1.0 | EA |
| 13 | T53281 | OIL FILTER | 1.0 | EA |
| 14 | T52843 | BOLT | 2.0 | EA |
| 15 | T52844 | THERMOSTAT COVER | 1.0 | EA |
| 16 | T52845 | GASKET | 1.0 | EA |
| 17 | T53366 | THERMOSTAT | 1.0 | EA |
| 18 | T52847 | GASKET | 1.0 | EA |
| 19 | T52873 | PLUG | 1.0 | EA |
| 20 | T52872 | GASKET | 2.0 | EA |
| 21 | T53365 | BOLT | 1.0 | EA |
| 22 | T53367 | GASKET | 1.0 | EA |
| 23 | T53404 | PUMP ASSY | 1.0 | EA |
| 24 | T52850 | BOLT | 3.0 | EA |
| 25 | T52831 | WATER TEMP SENDER | 1.0 | EA |
| 26 | T53368 | BOLT | 1.0 | EA |
| 27 | T52841 | O RING | 1.0 | EA |
| 28 | T52842 | BOLT | 3.0 | EA |
| 29 | T53364 | JOINT | 1.0 | EA |
| 30 | T52839 | GASKET | 1.0 | EA |

AIR CLEANER ASSEMBLY

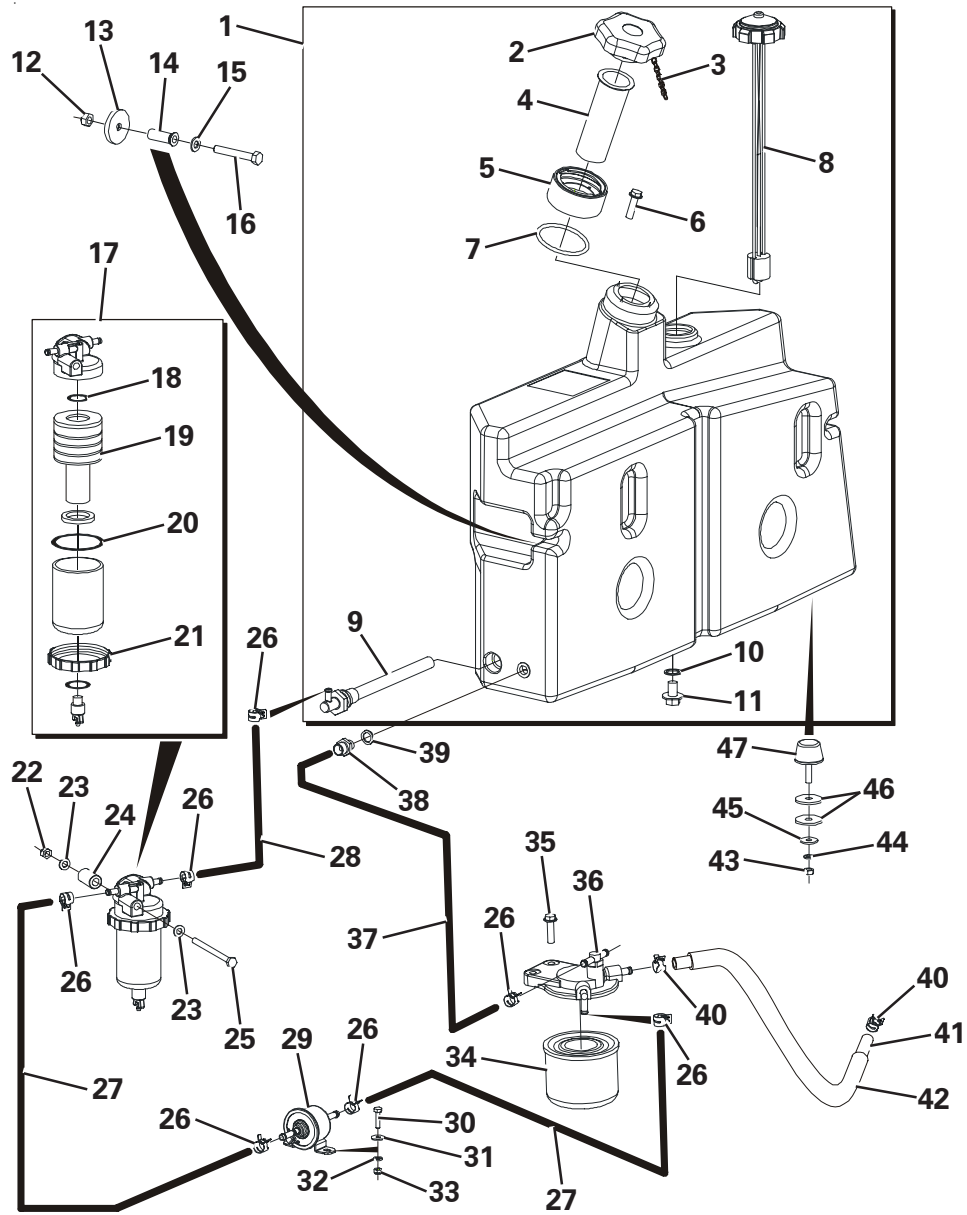
| Item | Part No. | Description | Qty | U/M |
|------|----------|---------------------------|-----|-----|
| 1 | T7669 | JUBILEE CLIP | 1.0 | EA |
| 2 | T101817 | AIR CLEANER HOSE | 1.0 | EA |
| 3 | T7872 | JUBILEE CLIP | 1.0 | EA |
| 4 | T100282 | RESTRICTION INDICATOR | 1.0 | EA |
| 5 | T100234 | AIR CLEANER | 1.0 | EA |
| 6 | T52648 | SAFETY ELEMENT | 1.0 | EA |
| 7 | T52647 | MAIN ELEMENT | 1.0 | EA |
| 8 | T52649 | DUST COVER | 1.0 | EA |
| 9 | T51772 | VAC VALVE | 1.0 | EA |
| 10 | T7540 | JUBILEE CLIP | 2.0 | EA |
| 11 | T100822 | INLET FLEXIBLE HOSE | 1.0 | EA |
| 12 | T14152 | BOLT | 2.0 | EA |
| 13 | T12972 | SPRING WASHER | 5.0 | EA |
| 14 | T9345 | HEAVY DUTY WASHER | 2.0 | EA |
| 15 | T100478 | AIR CLEANER MOUNTING BAND | 1.0 | EA |
| 16 | T7465 | SET SCREW | 3.0 | EA |
| 17 | T12973 | WASHER | 1.0 | EA |
| 18 | T101801 | AIR CLEANER MTG BRKT | 1.0 | EA |



Air Cleaner Assembly - Hydrostatic 4_5 - Tier 2

FUEL TANK ASSEMBLY

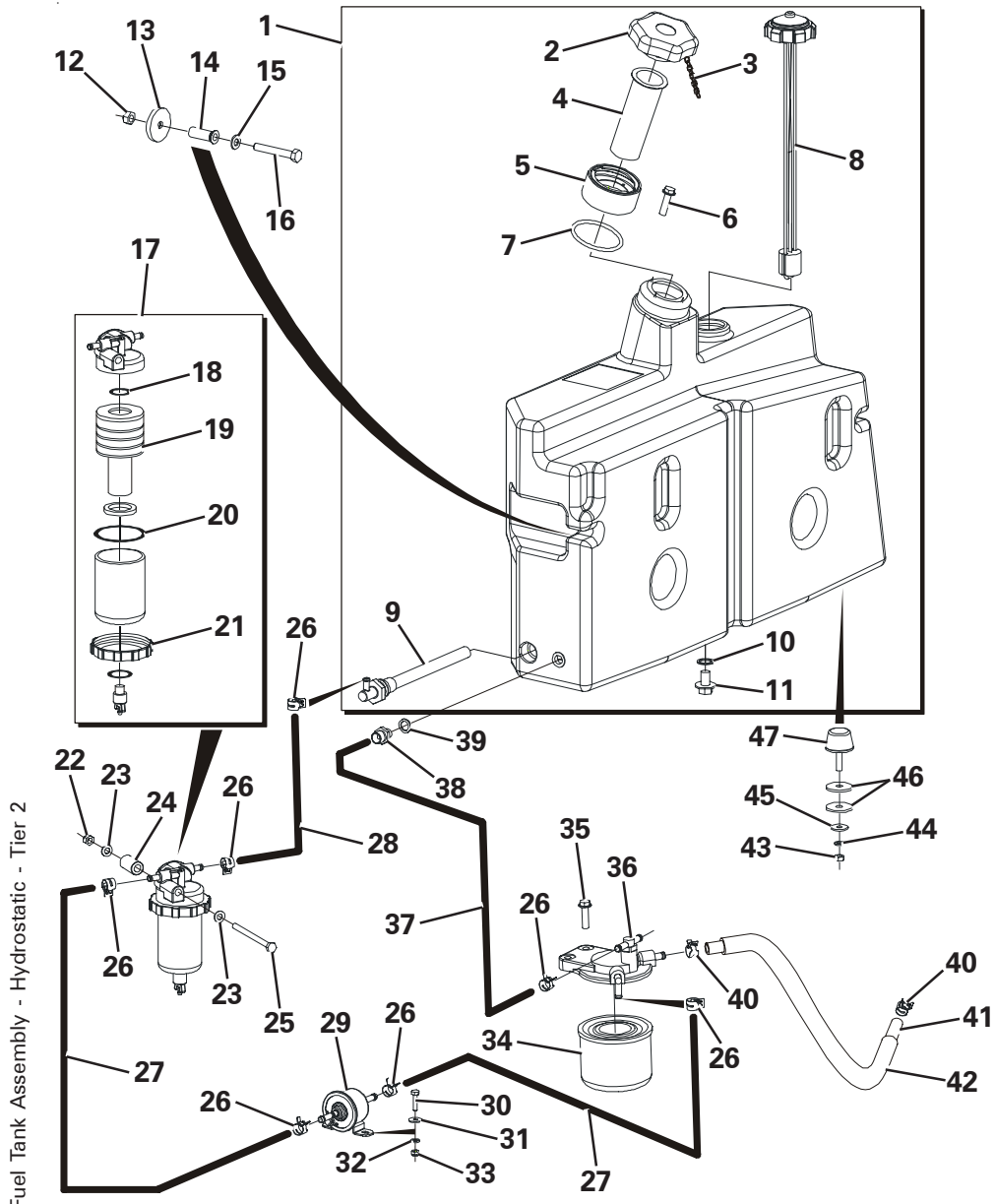
| Item | Part No. | Description | Qty | U/M |
|------|----------|----------------------|-----|-----|
| 1 | T101962 | FUEL TANK ASSY | 1.0 | EA |
| 2 | T52283 | FUEL FILLER CAP | 1.0 | EA |
| 3 | T52437 | FILLER CAP CHAIN | 1.0 | EA |
| 4 | T52284 | STRAINER | 1.0 | EA |
| 5 | T52543 | FILLER CAP COLLAR | 1.0 | EA |
| 6 | T52590 | SCREW | 4.0 | EA |
| 7 | T52589 | O RING | 1.0 | EA |
| 8 | T52498 | LEVEL GAUGE | 1.0 | EA |
| 9 | T53205 | FUEL RETURN ELBOW | 1.0 | EA |
| 10 | T52588 | FIBRE WASHER | 1.0 | EA |
| 11 | T52282 | 1/2" BSP DRAIN PLUG | 1.0 | EA |
| 12 | T13064 | PHILIDAS NUT | 2.0 | EA |
| 13 | T100323 | RUBBER BACKED WASHER | 2.0 | EA |
| 14 | T100372 | TANK SPACER | 2.0 | EA |
| 15 | T10734 | HEAVY DUTY WASHER | 2.0 | EA |
| 16 | T17963 | BOLT | 2.0 | EA |
| 17 | T53328 | SEPERATOR ASSEMBLY | 1.0 | EA |
| 18 | T52901 | O RING | 1.0 | EA |
| 19 | T53329 | ELEMENT | 1.0 | EA |
| 20 | T52899 | O RING | 1.0 | EA |
| 21 | T52897 | RING | 1.0 | EA |
| 22 | T13457 | NYLOC NUT | 1.0 | EA |
| 23 | T12973 | WASHER | 2.0 | EA |
| 24 | T100935 | SPACER TUBE | 1.0 | EA |



Fuel Tank Assembly - Hydrostatic - Tier 2

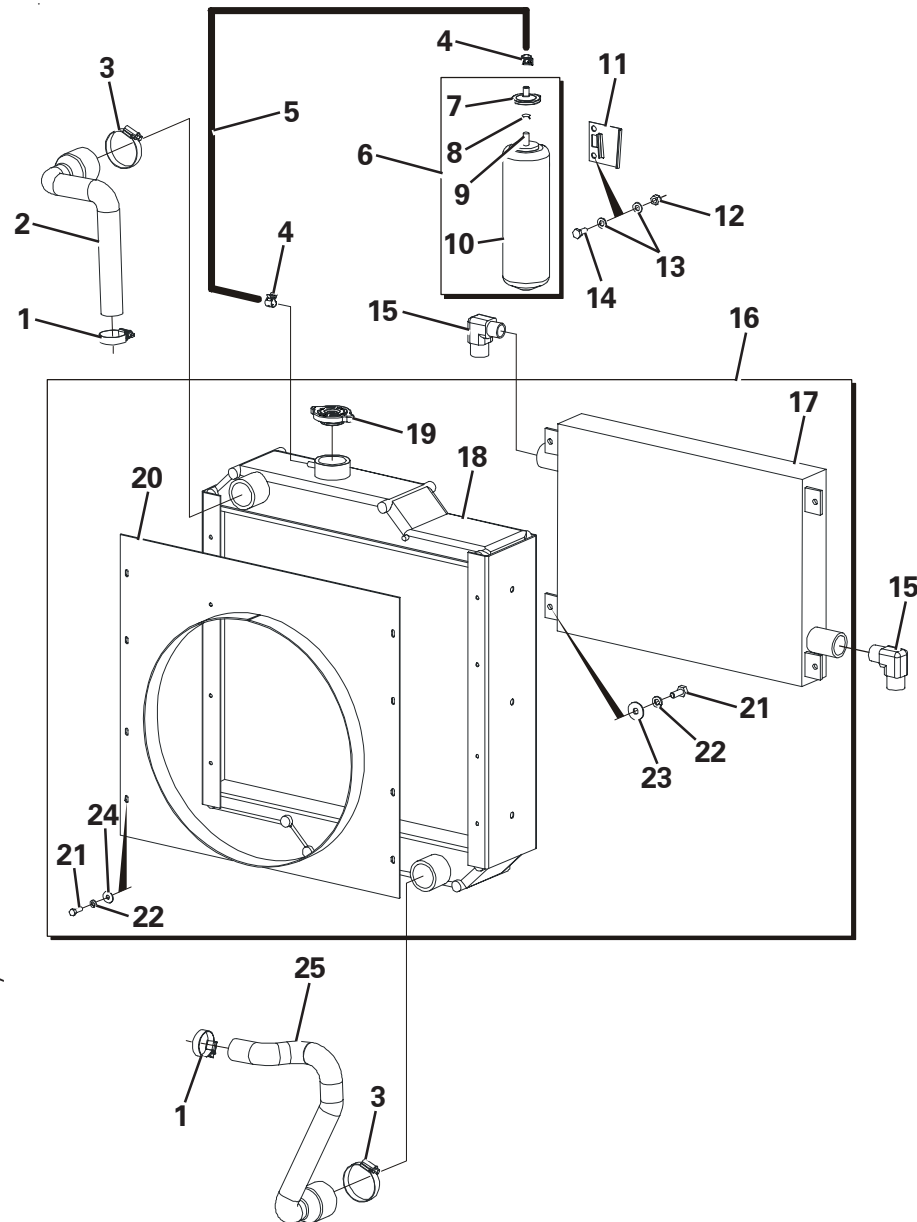
FUEL TANK ASSEMBLY

| Item | Part No. | Description | Qty | U/M |
|------|----------|-------------------|-----|-----|
| 25 | T15658 | BOLT | 1.0 | EA |
| 26 | T100421 | SPRING BAND CLAMP | 7.0 | EA |
| 27 | T101819 | FUEL HOSE | 2.0 | EA |
| 28 | T101818 | FUEL HOSE | 1.0 | EA |
| 29 | T53230 | PUMP ASSEMBLY | 1.0 | EA |
| 30 | T16476 | SET SCREW | 2.0 | EA |
| 31 | T15830 | HEAVY DUTY WASHER | 2.0 | EA |
| 32 | T13911 | WASHER | 2.0 | EA |
| 33 | T16481 | NYLOC NUT | 2.0 | EA |
| 34 | T53277 | FUEL FILTER | 1.0 | EA |
| 35 | T53324 | BOLT | 2.0 | EA |
| 36 | T53323 | BRACKET FILTER | 1.0 | EA |
| 37 | T101821 | FUEL HOSE | 1.0 | EA |
| 38 | T12118 | ADAPTOR | 1.0 | EA |
| 39 | T10940 | DOWTY WASHER | 1.0 | EA |
| 40 | T52882 | CLAMP | 2.0 | EA |
| 41 | T53327 | PIPE | 1.0 | EA |
| 42 | T53326 | TUBE | 1.0 | EA |
| 43 | T9775 | NUT | 2.0 | EA |
| 44 | T12972 | SPRING WASHER | 2.0 | EA |
| 45 | T9345 | HEAVY DUTY WASHER | 2.0 | EA |
| 46 | T8128 | HEAVY DUTY WASHER | 4.0 | EA |
| 47 | T100214 | RUBBER BUFFER | 2.0 | EA |



Fuel Tank Assembly - Hydrostatic - Tier 2

RADIATOR & OIL COOLER

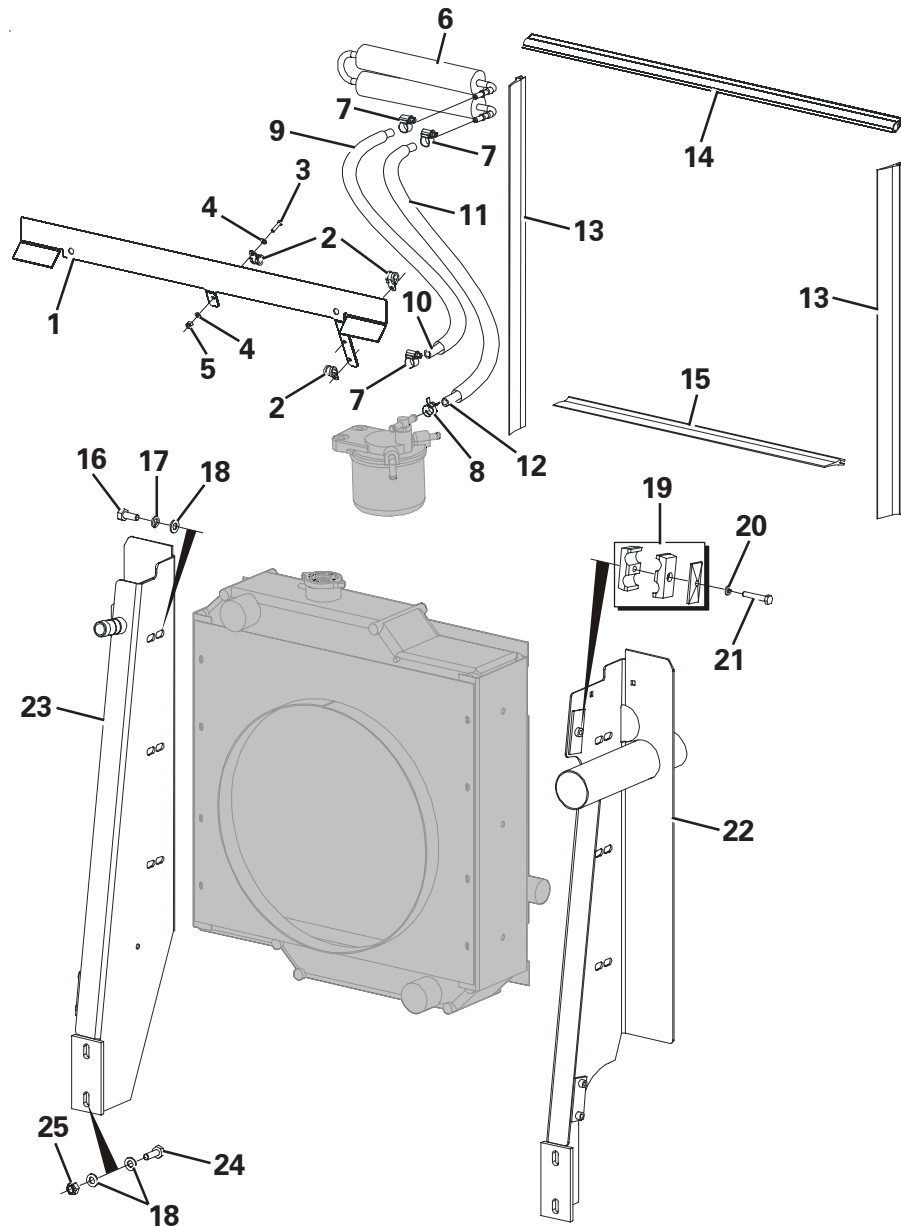


| Item | Part No. | Description | Qty | U/M |
|------|----------|------------------------|------|-----|
| 1 | T6693 | JUBILEE CLIP | 2.0 | EA |
| 2 | T100618 | RADIATOR HOSE | 1.0 | EA |
| 3 | T7872 | JUBILEE CLIP | 2.0 | EA |
| 4 | T100421 | SPRING BAND CLAMP | 2.0 | EA |
| 5 | T100748 | HOSE | 1.0 | EA |
| 6 | T52800 | TANK ASSEMBLY | 1.0 | EA |
| 7 | T52802 | CAP | 1.0 | EA |
| 8 | T52803 | CLAMP | 1.0 | EA |
| 9 | T52804 | PIPE | 1.0 | EA |
| 10 | T52801 | TANK | 1.0 | EA |
| 11 | T52805 | BRACKET SUB-TANK | 1.0 | EA |
| 12 | T13457 | NYLOC NUT | 2.0 | EA |
| 13 | T12973 | WASHER | 4.0 | EA |
| 14 | T7465 | SET SCREW | 2.0 | EA |
| 15 | T100774 | ELBOW | 2.0 | EA |
| 16 | T102029 | RADIATOR & OIL COOLER | 1.0 | EA |
| 17 | T101366 | OIL COOLER | 1.0 | EA |
| 18 | T102028 | RADIATOR | 1.0 | EA |
| 19 | T53207 | RADIATOR FILLER CAP | 1.0 | EA |
| 20 | T102034 | RADIATOR COWL | 1.0 | EA |
| 21 | T10917 | SET SCREW | 12.0 | EA |
| 22 | T14837 | SPRING WASHER | 12.0 | EA |
| 23 | T15830 | HEAVY DUTY WASHER | 4.0 | EA |
| 24 | T13911 | WASHER | 8.0 | EA |
| 25 | T101838 | RADIATOR HOSE (BOTTOM) | 1.0 | EA |

Radiator & Oil Cooler - Hydrostatic - Tier 2

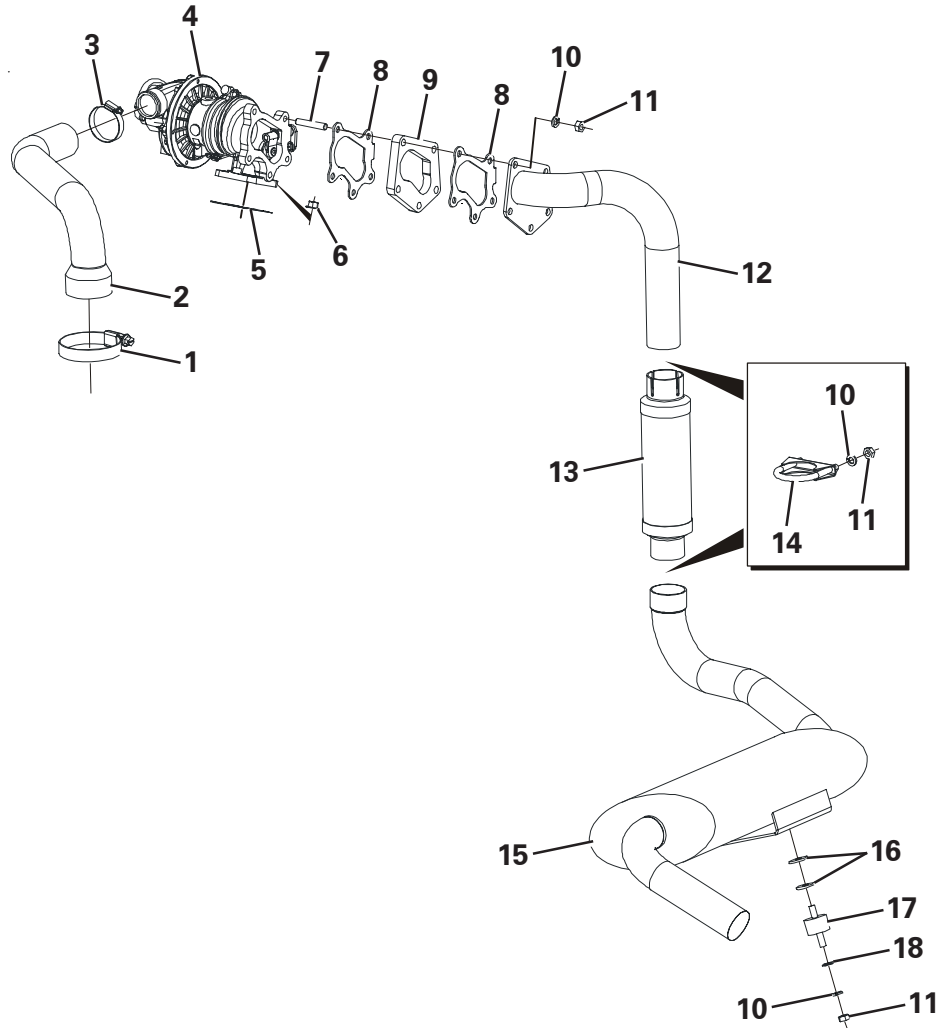
RAD. SEALS, FIXINGS & FUEL COOLER

| Item | Part No. | Description | Qty | U/M |
|------|----------|-------------------------|------|-----|
| 1 | T102202 | U-BEND COOLER MTG PLATE | 1.0 | EA |
| 2 | T101282 | P CLIP | 3.0 | EA |
| 3 | T16610 | CHEESE HEAD SCREW | 3.0 | EA |
| 4 | T16612 | WASHER | 6.0 | EA |
| 5 | T16613 | NYLOC NUT | 3.0 | EA |
| 6 | T102197 | U-BEND FUEL COOLER | 1.0 | EA |
| 7 | T11459 | JUBILEE CLIP | 3.0 | EA |
| 8 | T100421 | SPRING BAND CLAMP | 1.0 | EA |
| 9 | T102175 | PLASTIC CONDUIT | 1.0 | EA |
| 10 | T102203 | FUEL HOSE | 1.0 | EA |
| 11 | T102204 | PLASTIC CONDUIT | 1.0 | EA |
| 12 | T101881 | FUEL HOSE | 1.0 | EA |
| 13 | T100813 | RADIATOR SEAL (SIDE) | 2.0 | EA |
| 14 | T102058 | RADIATOR SEAL (TOP) | 1.0 | EA |
| 15 | T100811 | RADIATOR SEAL (BOTTOM) | 1.0 | EA |
| 16 | T7466 | SET SCREW | 6.0 | EA |
| 17 | T13362 | SPRING WASHER | 6.0 | EA |
| 18 | T10734 | HEAVY DUTY WASHER | 14.0 | EA |
| 19 | T101389 | PIPE CLAMP | 1.0 | EA |
| 20 | T12972 | SPRING WASHER | 1.0 | EA |
| 21 | T12823 | BOLT | 1.0 | EA |
| 22 | T102201 | RADIATOR MOUNT LH | 1.0 | EA |
| 23 | T102039 | RADIATOR MOUNT RH | 1.0 | EA |
| 24 | T20618 | SET SCREW | 4.0 | EA |
| 25 | T13064 | PHILIDAS NUT | 4.0 | EA |



Radiator Seals, Fixings & Fuel Cooler - 4.5 Tonne - Tier 2

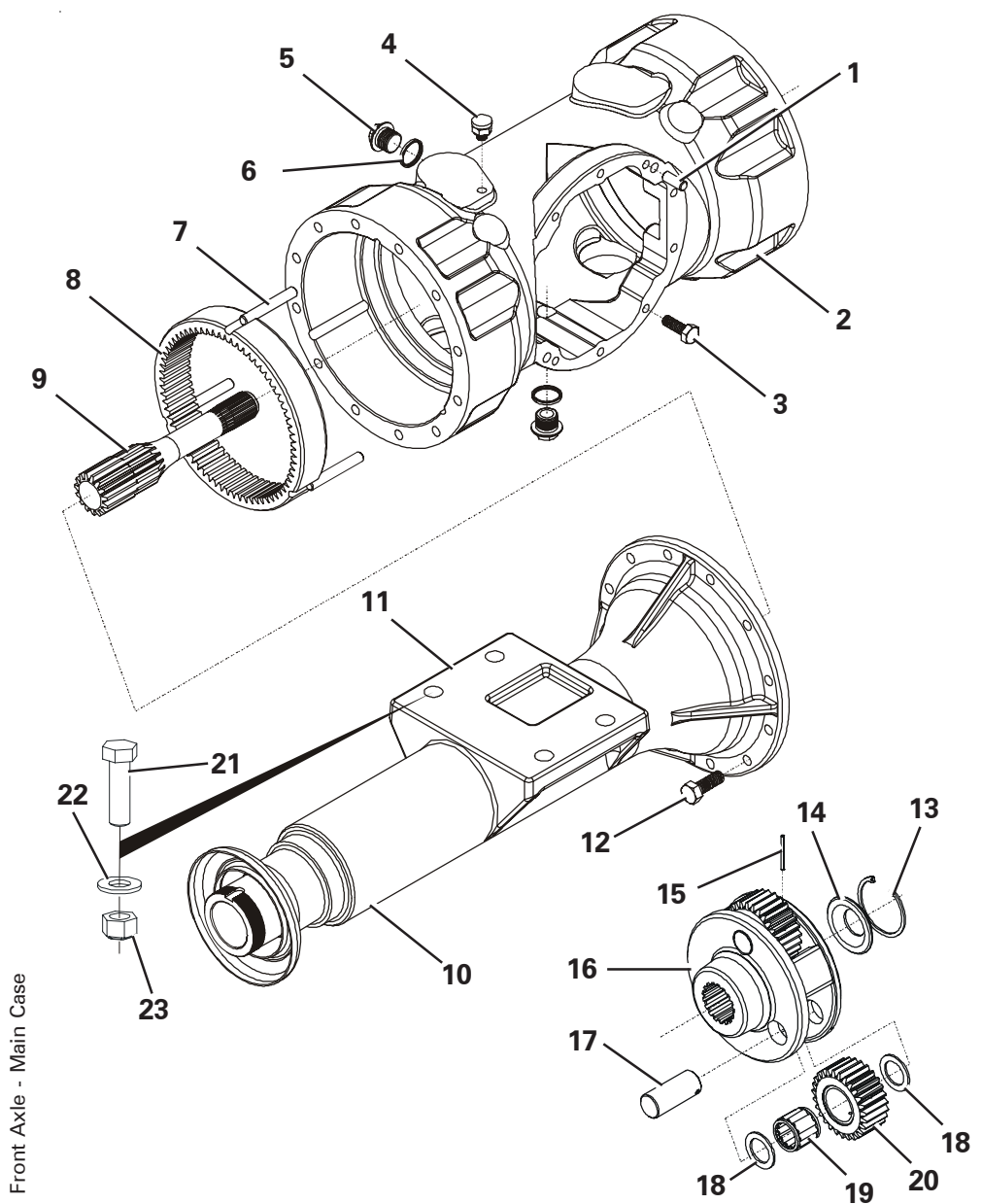
EXHAUST SYSTEM



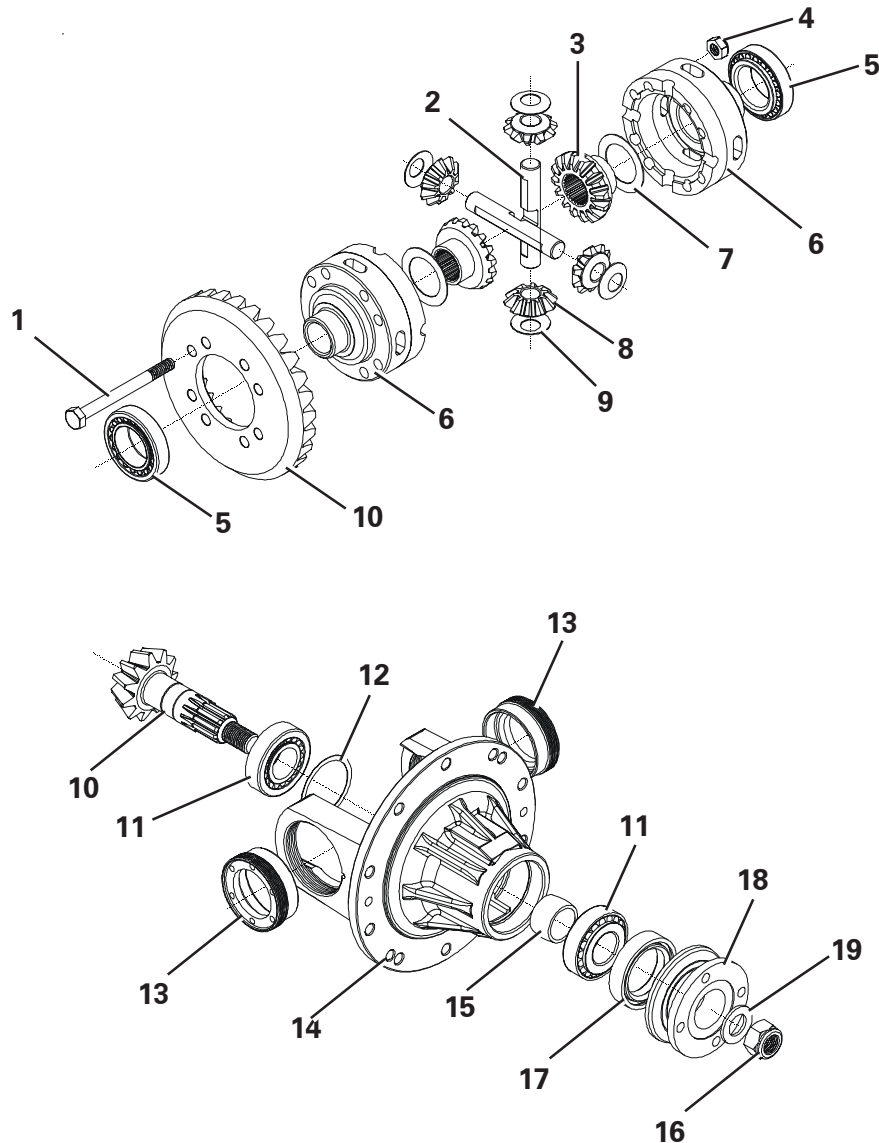
| Item | Part No. | Description | Qty | U/M |
|------|----------|-------------------|------|-----|
| 1 | T52924 | CLAMP | 1.0 | EA |
| 2 | T53391 | INTAKE HOSE | 1.0 | EA |
| 3 | T53392 | CLAMP | 1.0 | EA |
| 4 | T53395 | TURBINE | 1.0 | EA |
| 5 | T53393 | GASKET | 1.0 | EA |
| 6 | T53394 | NUT | 4.0 | EA |
| 7 | T100933 | STUD | 5.0 | EA |
| 8 | T53396 | GASKET | 2.0 | EA |
| 9 | T101756 | EXHAUST SPACER | 1.0 | EA |
| 10 | T12972 | SPRING WASHER | 12.0 | EA |
| 11 | T9775 | NUT | 12.0 | EA |
| 12 | T101759 | MANIFOLD PIPE | 1.0 | EA |
| 13 | T100602 | EXHAUST FLEXIBLE | 1.0 | EA |
| 14 | T18834 | EXHAUST CLAMP | 2.0 | EA |
| 15 | T101963 | EXHAUST SILENCER | 1.0 | EA |
| 16 | T9345 | HEAVY DUTY WASHER | 6.0 | EA |
| 17 | T100796 | RUBBER BUFFER | 3.0 | EA |
| 18 | T12973 | WASHER | 3.0 | EA |

FRONT AXLE - MAIN CASE

| Item | Part No. | Description | Qty | U/M |
|------|----------|---------------------|------|-----|
| A | T100544 | FRONT AXLE ASSEMBLY | 1.0 | EA |
| 1 | T3019 | DOWEL PIN | 2.0 | EA |
| 2 | T52808 | MAIN CASE | 1.0 | EA |
| 3 | T52599 | FIXING BOLT | 10.0 | EA |
| 4* | T53442 | BREATHER | 1.0 | EA |
| 5 | T53074 | PLUG | 2.0 | EA |
| 6 | T50423 | BOND SEAL | 2.0 | EA |
| 7 | T52761 | DOWEL PIN | 6.0 | EA |
| 8 | T52756 | ANNULUS | 2.0 | EA |
| 9 | T52760 | SUN GEAR | 2.0 | EA |
| 10 | T52759 | HUB SEAL COVER | 2.0 | EA |
| 11 | T52809 | AXLE ARM | 2.0 | EA |
| 12 | T52762 | BOLT | 24.0 | EA |
| 13 | T2687 | CIRCLIP | 2.0 | EA |
| 14 | T50365 | SPACER AXLE SHAFT | 2.0 | EA |
| 15 | T2880 | SPRING DOWEL | 6.0 | EA |
| 16 | T52734 | PLANET CARRIER | 2.0 | EA |
| 17 | T52736 | PLANET PIN | 6.0 | EA |
| 18 | T50367 | THRUST WASHER | 12.0 | EA |
| 19 | T52737 | NEEDLE BEARING | 6.0 | EA |
| 20 | T52735 | PLANET GEAR | 6.0 | EA |
| 21 | T11315 | BOLT | 8.0 | EA |
| 22 | T100867 | PLAIN WASHER | 8.0 | EA |
| 23 | T14910 | NUT | 8.0 | EA |



FRONT AXLE - DIFF. ASSEMBLY

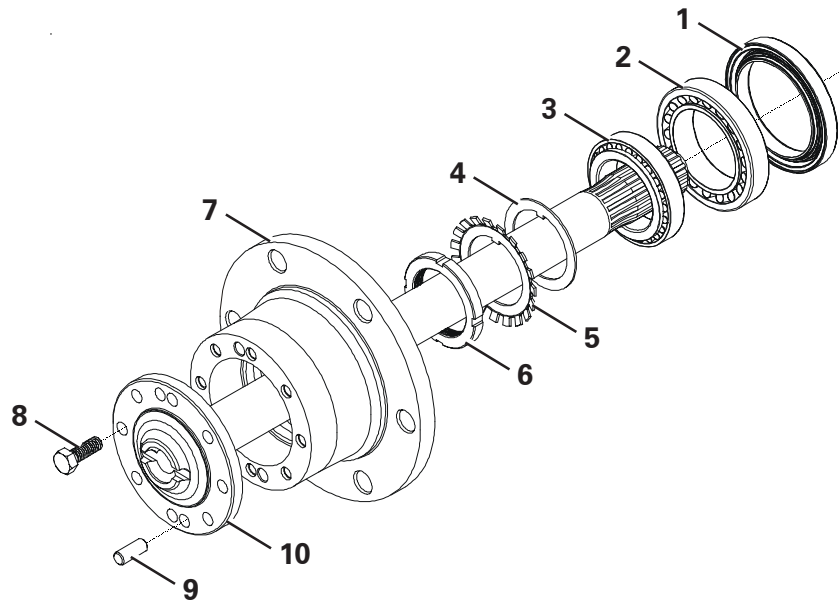


| Item | Part No. | Description | Qty | U/M |
|------|----------|-------------------------|-----|-----|
| 1 | T2886 | BOLT | 8.0 | EA |
| 2 | T52733 | DIFF SPIDER (HALF) | 2.0 | EA |
| 3 | T50298 | DIFF. WHEEL | 2.0 | EA |
| 4 | T2991 | NUT | 8.0 | EA |
| 5 | T52782 | BEARING | 2.0 | EA |
| 6 | T2890 | DIFF CASE | 1.0 | EA |
| 7 | T2888 | THRUST WASHER | 2.0 | EA |
| 8 | T50299 | DIFF. PINION | 4.0 | EA |
| 9 | T3027 | THRUST WASHER | 4.0 | EA |
| 10 | T3036 | BEVEL WHEEL & PINION | 1.0 | EA |
| 11 | T2893 | PINION BEARING | 2.0 | EA |
| 12 | T50302 | SHIM 0.25MM | A/R | EA |
| | T50303 | SHIM 0.30MM | A/R | EA |
| | T50304 | SHIM 0.40MM | A/R | EA |
| 13 | T52781 | BEARING ADJUSTER NUT | 2.0 | EA |
| 14 | T52810 | INPUT PINION CARTRIDGE | 1.0 | EA |
| 15 | T2892 | SPACER | 1.0 | EA |
| 16 | T3012 | NUT | 1.0 | EA |
| 17 | T2891 | OILSEAL | 2.0 | EA |
| 18 | T52811 | INPUT DRIVE FLANGE ASSY | 1.0 | EA |
| 19 | T3013 | WASHER | 1.0 | EA |

Front Axle - Diff. Assembly

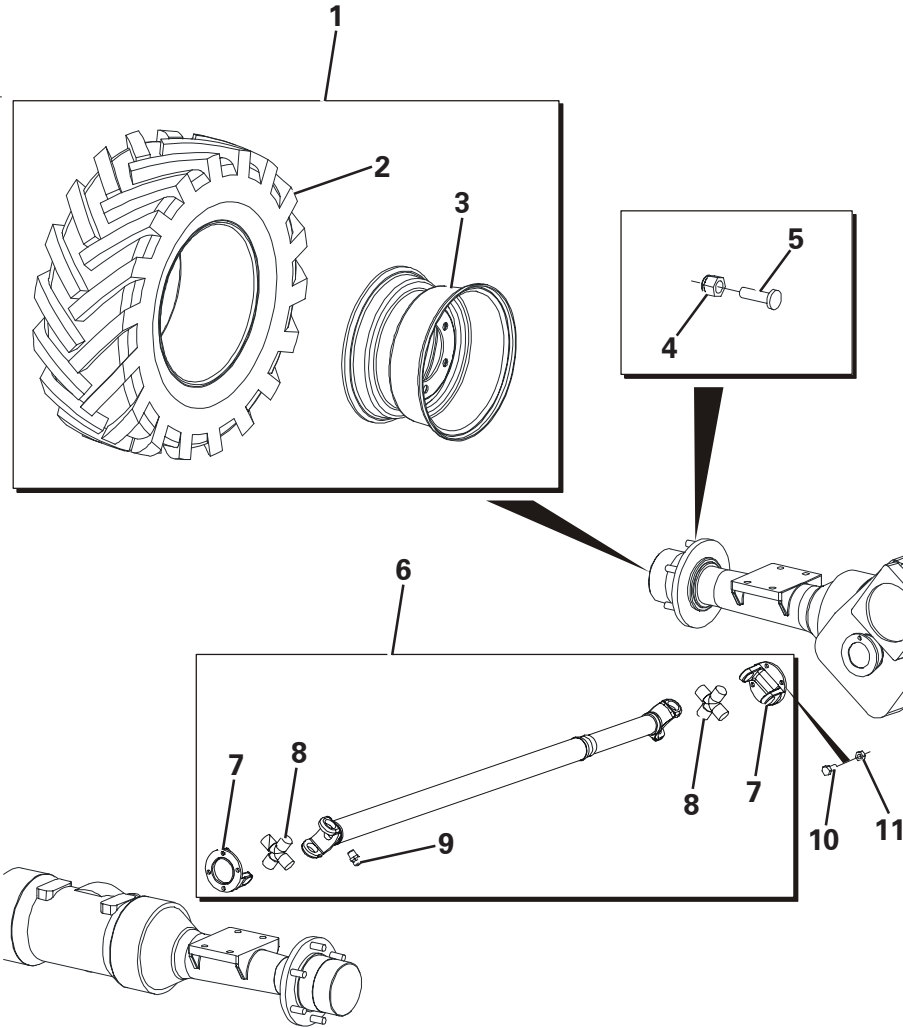
FRONT AXLE - HUB & ARM

| Item | Part No. | Description | Qty | U/M |
|------|----------|-------------|------|-----|
| 1 | T52745 | OIL SEAL | 2.0 | EA |
| 2 | T52741 | BEARING | 2.0 | EA |
| 3 | T52740 | BEARING | 2.0 | EA |
| 4 | T52742 | SPACER | 2.0 | EA |
| 5 | T52743 | LOCKWASHER | 2.0 | EA |
| 6 | T52748 | LOCKNUT | 2.0 | EA |
| 7 | T52738 | HUB | 2.0 | EA |
| 8 | T52746 | BOLT | 16.0 | EA |
| 9 | T52744 | DOWEL | 4.0 | EA |
| 10 | T52755 | AXLE SHAFT | 2.0 | EA |



PROPSHAFT & WHEEL ASSEMBLY

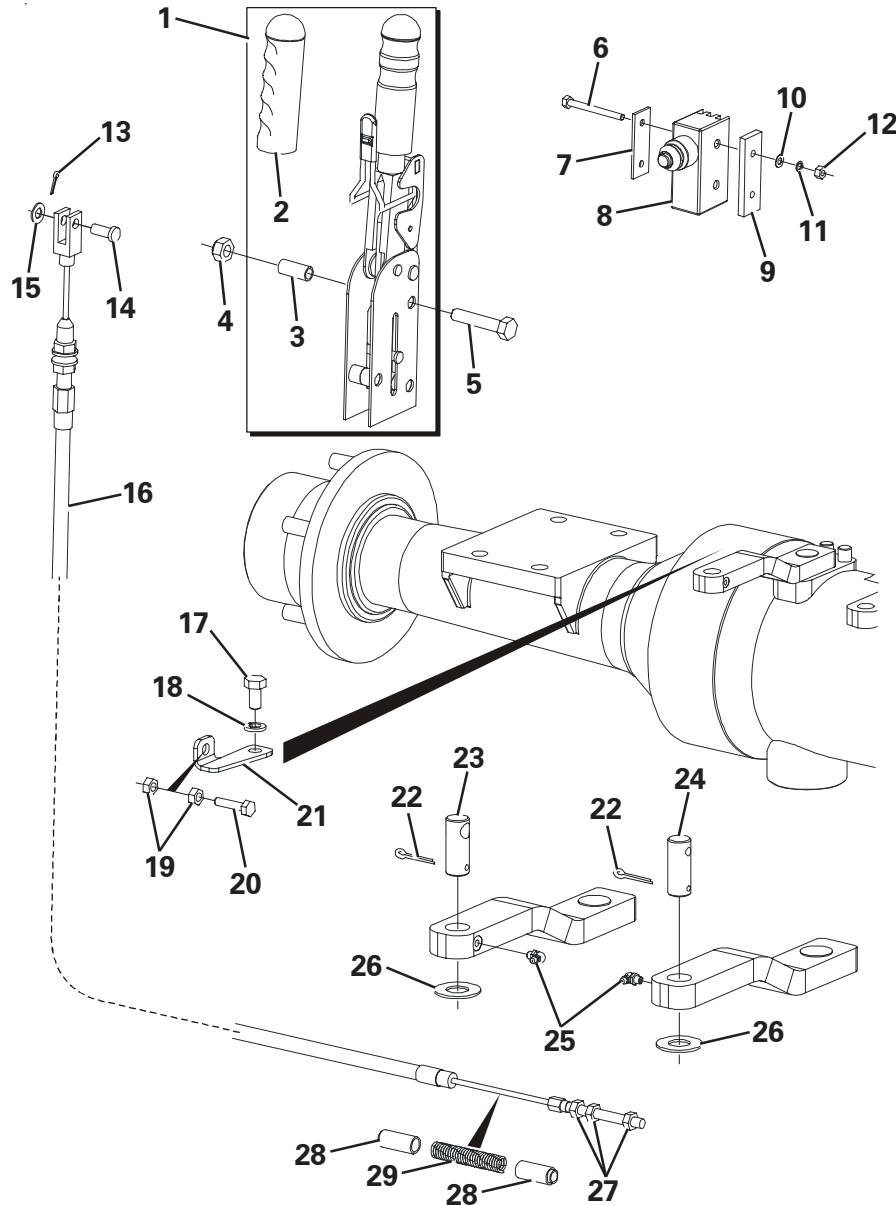
| Item | Part No. | Description | Qty | U/M |
|------|----------|-----------------|------|-----|
| 1 | T100818 | WHEEL ASSY | 4.0 | EA |
| 2 | T100819 | TYRE | 1.0 | EA |
| 3 | T100677 | WHEEL RIM | 1.0 | EA |
| 4 | T52747 | WHEEL NUT | 24.0 | EA |
| 5 | T52739 | WHEEL STUD | 24.0 | EA |
| 6 | T100656 | PROPSHAFT | 1.0 | EA |
| 7 | T52813 | FLANGE | 2.0 | EA |
| 8 | T52812 | UNIVERSAL JOINT | 2.0 | EA |
| 9 | T13454 | GREASE NIPPLE | 3.0 | EA |
| 10 | T7628 | BOLT | 8.0 | EA |
| 11 | T7631 | PHILIDAS NUT | 8.0 | EA |



Propshaft & Wheel Assembly - Hydrostatic - Tier 2

HANDBRAKE ASSEMBLY

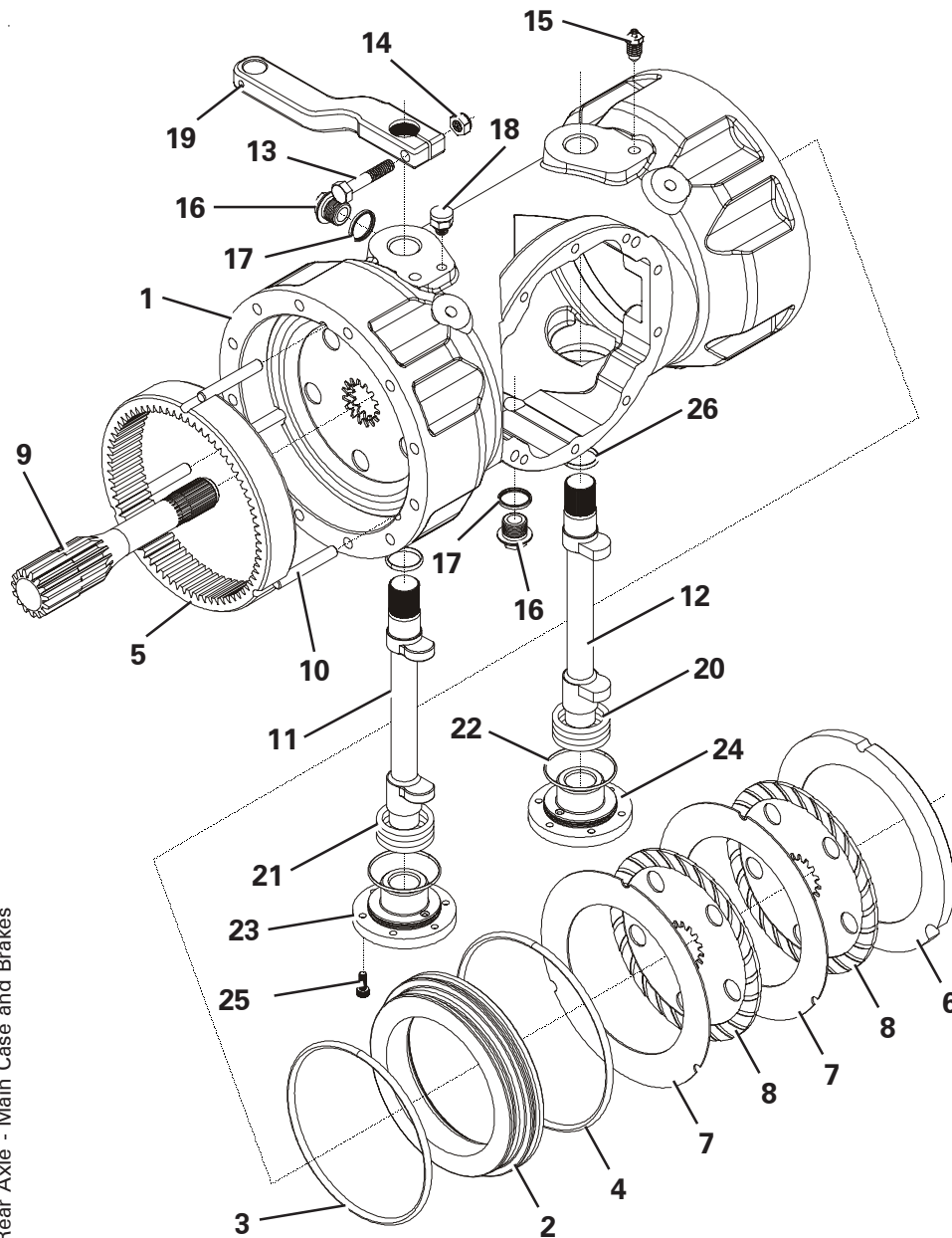
| Item | Part No. | Description | Qty | U/M |
|------|----------|-----------------------------|-----|-----|
| 1 | T100893 | OVERCENTRE HANDBRAKE | 1.0 | EA |
| 2 | T52947 | GRIP | 1.0 | EA |
| 3 | T10869 | SPACER | 3.0 | EA |
| 4 | T13064 | PHILIDAS NUT | 3.0 | EA |
| 5 | T16501 | BOLT | 3.0 | EA |
| 6 | T13321 | SET SCREW | 2.0 | EA |
| 7 | T13289 | MICRO SWITCH BACKING PLATE | 1.0 | EA |
| 8 | T100912 | MICRO SWITCH | 1.0 | EA |
| 9 | T101186 | MICRO SWITCH SPACER | 1.0 | EA |
| 10 | T11440 | WASHER | 2.0 | EA |
| 11 | T11439 | SPRING WASHER | 2.0 | EA |
| 12 | T11447 | NUT | 2.0 | EA |
| 13 | T6702 | SPLIT PIN | 1.0 | EA |
| 14 | T14101 | CLEVIS PIN | 1.0 | EA |
| 15 | T12973 | WASHER | 1.0 | EA |
| 16 | T100957 | BRAKE CABLE | 1.0 | EA |
| 17 | T11673 | SET SCREW | 1.0 | EA |
| 18 | T12972 | SPRING WASHER | 1.0 | EA |
| 19 | T10431 | NUT | 2.0 | EA |
| 20 | T11433 | SET SCREW | 1.0 | EA |
| 21 | T100905 | BRAKE LEVER STOP BRKT | 1.0 | EA |
| 22 | T6751 | SPLIT PIN | 2.0 | EA |
| 23 | T12210 | HANDBRAKE CABLE GUIDE | 1.0 | EA |
| 24 | T12211 | HANDBRAKE CABLE STOP | 1.0 | EA |
| 25 | T16587 | GREASE NIPPLE | 2.0 | EA |
| 26 | T6766 | WASHER | 2.0 | EA |
| 27 | T6719 | NUT | 3.0 | EA |
| 28* | T100909 | SPRING SUPPORT | 2.0 | EA |
| 29* | T102310 | GALVANISED HANDBRAKE SPRING | 1.0 | EA |



Handbrake Assembly - Hydrostatic - Tier 2

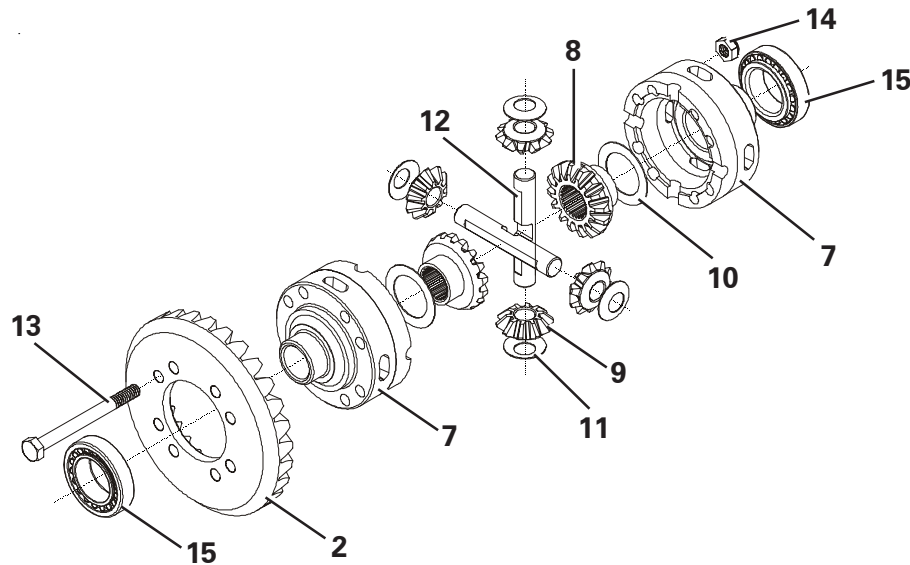
REAR AXLE - MAIN CASE

| Item | Part No. | Description | Qty | U/M |
|------|----------|------------------------------|------|-----|
| A | T100641 | REAR AXLE & TRANS. BOX ASSY. | 1.0 | EA |
| 1 | T52749 | MAIN CASE | 1.0 | EA |
| 2 | T2872 | BRAKE PISTON | 2.0 | EA |
| 3* | T53439 | 'O' RING | 2.0 | EA |
| 4* | T53440 | 'O' RING | 2.0 | EA |
| 5 | T52756 | ANNULUS | 2.0 | EA |
| 6 | T53200 | SPACER PLATE | 2.0 | EA |
| 7 | T53197 | BRAKE PLATE | 4.0 | EA |
| 8 | T53198 | BRAKE DISC | 4.0 | EA |
| 9 | T52760 | SUN GEAR | 2.0 | EA |
| 10 | T52761 | DOWEL PIN | 6.0 | EA |
| 11 | T52763 | BRAKE LEVER LH | 1.0 | EA |
| 12 | T52764 | BRAKE LEVER RH | 1.0 | EA |
| 13 | T52767 | BOLT | 2.0 | EA |
| 14 | T2991 | NUT | 2.0 | EA |
| 15 | T3038 | BLEED NIPPLE | 1.0 | EA |
| 16 | T53074 | PLUG | 2.0 | EA |
| 17 | T50423 | BOND SEAL | 2.0 | EA |
| 18* | T53442 | BREATHER | 1.0 | EA |
| 19 | T52751 | BRAKE OPERATING LEVER | 2.0 | EA |
| 20 | T2849 | BRAKE RETURN SPRING | 1.0 | EA |
| 21 | T2861 | BRAKE LEVER RETURN SPRING | 1.0 | EA |
| 22 | T52790 | 'O' RING | 2.0 | EA |
| 23 | T52752 | HANDBRAKE LEVER COVER LH | 1.0 | EA |
| 24 | T52753 | HANDBRAKE LEVER COVER RH | 1.0 | EA |
| 25 | T52754 | CAP HEADED SCREW | 12.0 | EA |
| 26 | T52791 | 'O' RING | 2.0 | EA |

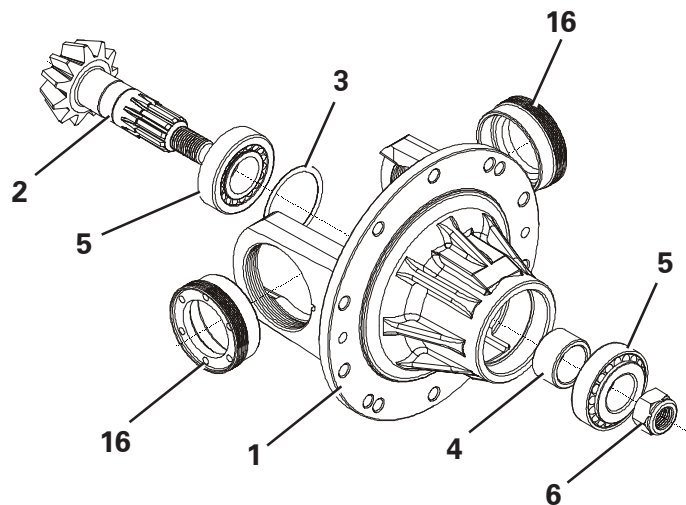


Rear Axle - Main Case and Brakes

REAR AXLE - DIFF ASSEMBLY

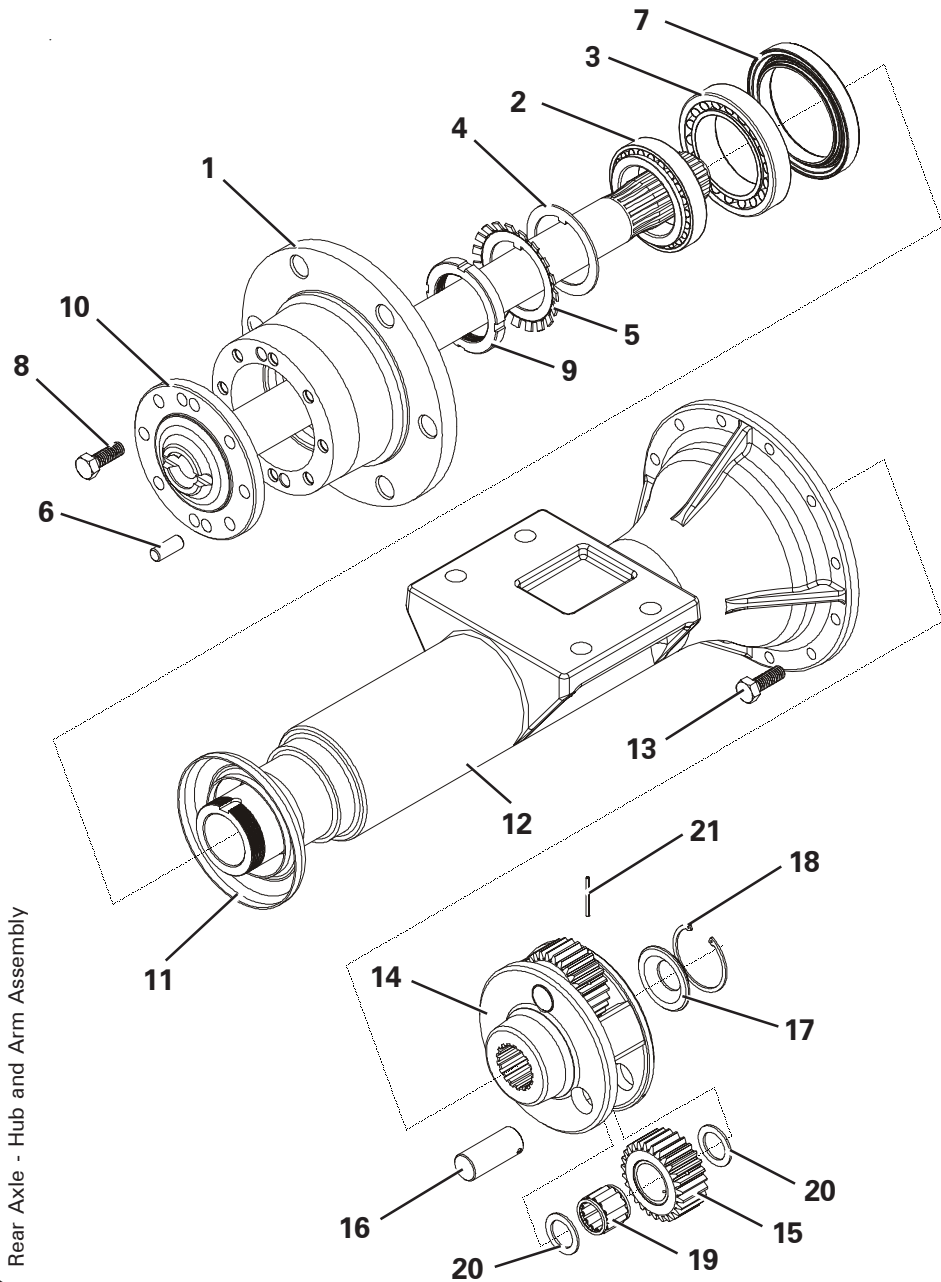


| Item | Part No. | Description | Qty | U/M |
|------|----------|------------------------|-----|-----|
| 1 | T52727 | INPUT PINION CARTRIDGE | 1.0 | EA |
| 2 | T52815 | BEVEL WHEEL/PINION | 1.0 | EA |
| 3 | T50302 | SHIM 0.25MM | A/R | EA |
| | T50303 | SHIM 0.30MM | A/R | EA |
| | T50304 | SHIM 0.40MM | A/R | EA |
| 4 | T52730 | SPACER | 1.0 | EA |
| 5 | T2893 | PINION BEARING | 2.0 | EA |
| 6 | T3012 | NUT FLANGE | 1.0 | EA |
| 7 | T2890 | DIFF CASE | 1.0 | EA |
| 8 | T50298 | DIFF.WHEEL | 2.0 | EA |
| 9 | T50299 | DIFF.PINION | 4.0 | EA |
| 10 | T2888 | THRUST WASHER | 2.0 | EA |
| 11 | T3027 | THRUST WASHER | 4.0 | EA |
| 12 | T52733 | DIFF SPIDER | 2.0 | EA |
| 13 | T2886 | BOLT | 8.0 | EA |
| 14 | T2991 | NUT | 8.0 | EA |
| 15 | T3716 | TAPER BEARING | 2.0 | EA |
| 16 | T52781 | BEARING ADJUSTER NUT | 2.0 | EA |



Rear Axle - Diff Assembly

REAR AXLE - HUB AND ARM

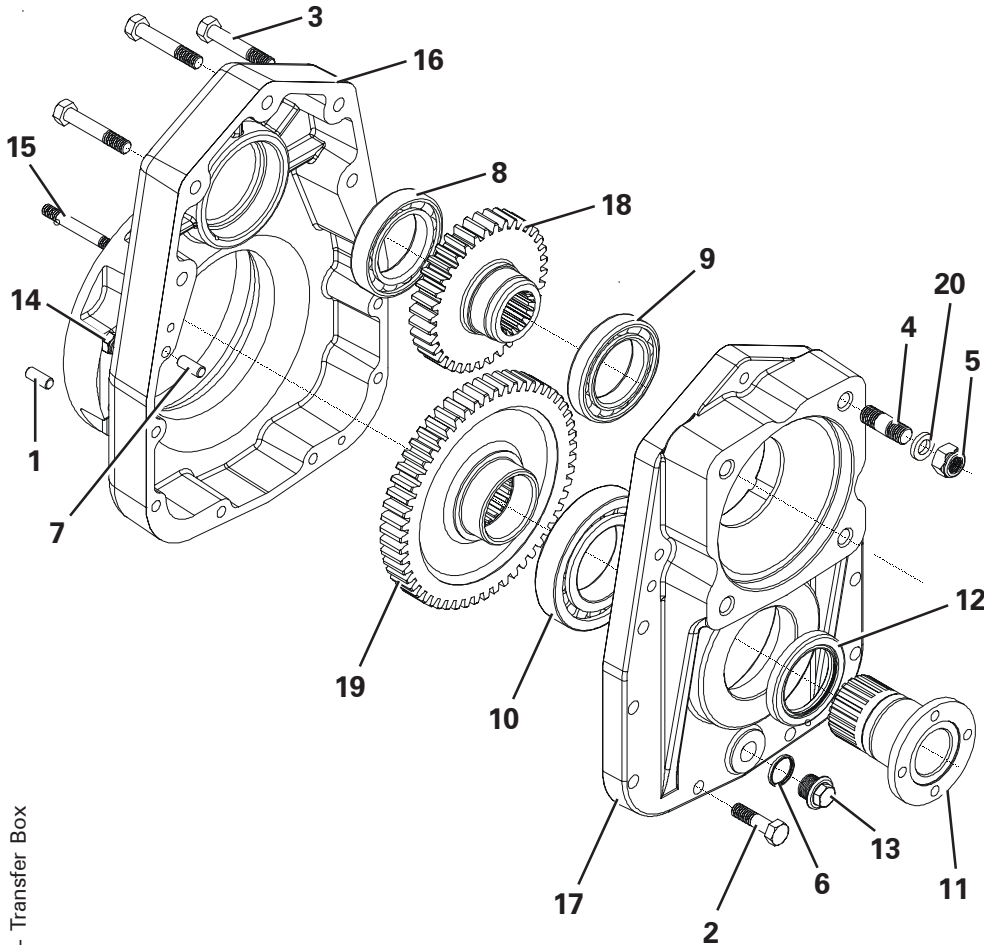


Rear Axle - Hub and Arm Assembly

| Item | Part No. | Description | Qty | U/M |
|------|----------|-------------------|------|-----|
| 1 | T52738 | HUB | 2.0 | EA |
| 2 | T52740 | BEARING | 2.0 | EA |
| 3 | T52741 | BEARING | 2.0 | EA |
| 4 | T52742 | SPACER | 2.0 | EA |
| 5 | T52743 | LOCKWASHER | 2.0 | EA |
| 6 | T52744 | DOWEL | 4.0 | EA |
| 7 | T52745 | OIL SEAL | 2.0 | EA |
| 8 | T52746 | BOLT | 16.0 | EA |
| 9 | T52748 | LOCKNUT | 2.0 | EA |
| 10 | T52755 | AXLE SHAFT | 2.0 | EA |
| 11 | T52759 | HUB SEAL COVER | 2.0 | EA |
| 12 | T52765 | AXLE ARM - L | 1.0 | EA |
| | T52766 | AXLE ARM - R | 1.0 | EA |
| 13 | T52762 | BOLT | 24.0 | EA |
| 14 | T52734 | PLANET CARRIER | 2.0 | EA |
| 15 | T52735 | PLANET GEAR | 6.0 | EA |
| 16 | T52736 | PLANET PIN | 6.0 | EA |
| 17 | T50365 | SPACER AXLE SHAFT | 2.0 | EA |
| 18 | T2687 | CIRCLIP | 2.0 | EA |
| 19 | T52737 | NEEDLE BEARING | 6.0 | EA |
| 20 | T50367 | THRUST WASHER | 12.0 | EA |
| 21 | T2880 | SPRING DOWEL | 6.0 | EA |

REAR AXLE - TRANSFER BOX

| Item | Part No. | Description | Qty | U/M |
|------|----------|------------------|------|-----|
| 1 | T3019 | DOWEL PIN | 2.0 | EA |
| 2 | T52768 | SCREW | 10.0 | EA |
| 3 | T52769 | BOLT | 3.0 | EA |
| 4 | T52770 | STUD | 4.0 | EA |
| 5 | T14910 | PHILIDAS NUT | 4.0 | EA |
| 6 | T50423 | BOND SEAL | 1.0 | EA |
| 7 | T2731 | DOWEL | 2.0 | EA |
| 8 | T52771 | BEARING | 1.0 | EA |
| 9 | T52772 | BEARING | 1.0 | EA |
| 10 | T52773 | ROLLER BEARING | 1.0 | EA |
| 11 | T52774 | DRIVE FLANGE | 1.0 | EA |
| 12 | T52775 | OIL SEAL | 1.0 | EA |
| 13 | T4248 | PLUG | 1.0 | EA |
| 14 | T2991 | NUT | 10.0 | EA |
| 15 | T52776 | STUD | 10.0 | EA |
| 16 | T52777 | TRANSFER CASE LH | 1.0 | EA |
| 17 | T52778 | TRANSFER CASE RH | 1.0 | EA |
| 18 | T52779 | INPUT PINION 36T | 1.0 | EA |
| 19 | T52780 | INPUT WHEEL 55T | 1.0 | EA |
| 20 | T6765 | THIN WASHER | 4.0 | EA |



Rear Axle - Transfer Box

OPTIONAL EXTRAS

| Part No. | Description | Qty | U/M |
|----------|-------------------------------------|-----|-----|
| T100133 | ROTATING BEACON | 1.0 | EA |
| T100308 | XENON BEACON | 1.0 | EA |
| KIT 232 | ACCESSORIES - REVERSE ALARM | 1.0 | EA |
| KIT 242 | ACCESSORIES - ELECTRONIC SHUTDOWN | 1.0 | EA |
| T100743 | ANTI SLIP PADS (MUDGUARDS) | 4.0 | EA |
| T100939 | ACCESSORIES - ROPS FRAME KIT | 1.0 | EA |
| T100940 | ACCESSORIES - HINGED ROPS FRAME KIT | 1.0 | EA |
| KIT 253 | TRANSFER SET - 4.5 TONNE | 1.0 | EA |

MODIFIED AND ADDITIONAL PARTS

| Old Part No. | Qty | Description | Page | Item | Prefix | New Part No. |
|--------------|-----|-----------------------------|------|------|--------|---------------|
| T100482 | 2.0 | SLEW RAM | 27 | 1 | 2 | T102048 |
| T52537 | 1.0 | ROD | 27 | 2 | 2 | T53383 |
| T50492 | 1.0 | HEAD BUSH | 27 | 3 | 2 | T53385 |
| T50491 | 1.0 | PISTON | 27 | 4 | 2 | T53386 |
| T50489 | 2.0 | BEARING | 27 | 5 | 2 | T53379 |
| T5020 | 2.0 | GREASE NIPPLE | 27 | 7 | 2 | T53406 |
| T50490 | 1.0 | SEAL KIT | 27 | 8 | 2 | T53384 |
| T50487 | 1.0 | TENSION PIN | 27 | - | 2 | NOW IN T53384 |
| T100654 | 1.0 | STEER RAM | 26 | 1 | 3 | T102137 |
| T53058 | 1.0 | ROD ASSY | 26 | 2 | 3 | T53378 |
| T52784 | 1.0 | HEADBUSH | 26 | 3 | 3 | T53381 |
| T50433 | 1.0 | PISTON | 26 | 4 | 3 | T53382 |
| T2162 | 2.0 | SPHERICAL BEARING | 26 | 5 | 3 | T53379 |
| T53059 | 1.0 | SEAL KIT | 26 | 6 | 3 | T53380 |
| T50487 | 1.0 | TENSION PIN | 26 | - | 3 | NOW IN T53380 |
| T5020 | 2.0 | GREASE NIPPLE | 26 | 7 | 3 | T53406 |
| T100343 | 1.0 | TIPPING RAM | 25 | 1 | 4 | T102136 |
| T52786 | 1.0 | ROD ASSY | 25 | 2 | 4 | T53387 |
| T52787 | 1.0 | HEADBUSH | 25 | 3 | 4 | T53389 |
| T52721 | 1.0 | PISTON | 25 | 4 | 4 | T53390 |
| T52789 | 1.0 | SEAL KIT | 25 | 5 | 4 | T53388 |
| T52788 | 1.0 | SPRING TENSION PIN | 25 | - | 4 | NOW IN T53388 |
| T13454 | 3.0 | GREASE NIPPLE | 25 | 6 | 4 | T20821 |
| T2871 | 2.0 | 'O' RING | 45 | 3 | - | T53439 |
| T2870 | 2.0 | 'O' RING | 45 | 4 | - | T53440 |
| T101874 | 1.0 | ENGINE | 31 | A | 5 | T102295 |
| T100911 | 1.0 | GAITER | 5 | 5 | 6 | T102309 |
| T11768 | 2.0 | SPRING SUPPORT | 44 | 28 | 6 | T100909 |
| T9722 | 1.0 | GALVANISED HANDBRAKE SPRING | 44 | 29 | 6 | T102310 |

MODIFIED AND ADDITIONAL PARTS TO AXLES - T100544

| Old Part No. | Qty | Description | Page | Item | Serial No. | New Part No. |
|--------------|-----|-------------|------|------|------------|--------------|
| T52750 | 1.0 | BREATHER | 40 | 4 | - | T53442 |

MODIFIED AND ADDITIONAL PARTS TO AXLES - T100641

| Old Part No. | Qty | Description | Page | Item | Serial No. | New Part No. |
|--------------|-----|-------------|------|------|------------|--------------|
| T2871 | 2.0 | 'O' RING | 45 | 3 | - | T53439 |
| T2870 | 2.0 | 'O' RING | 45 | 4 | - | T53440 |
| T52750 | 1.0 | BREATHER | 45 | 18 | - | T53442 |

MODIFIED AND ADDITIONAL PARTS

| Old Part No. | Qty | Description | Page | Item | Prefix | New Part No. |
|--------------|-----|-------------|------|------|--------|--------------|
|--------------|-----|-------------|------|------|--------|--------------|

MODIFIED AND ADDITIONAL PARTS

| Old Part No. | Qty | Description | Page | Item | Prefix | New Part No. |
|--------------|-----|-------------|------|------|--------|--------------|
|--------------|-----|-------------|------|------|--------|--------------|

MODIFIED AND ADDITIONAL PARTS

| Old Part No. | Qty | Description | Page | Item | Prefix | New Part No. |
|--------------|-----|-------------|------|------|--------|--------------|
|--------------|-----|-------------|------|------|--------|--------------|

Service and Warranty

Thwaites give a warranty which, subject to certain conditions, gives an assurance as to the quality of their product.

The Thwaites warranty states:-

In the manufacture of Thwaites machines we endeavour to ensure that only the best workmanship and materials are used. Consequently, provided:-

1. The machine has been properly used in accordance with our recommendations and,
2. That no alterations have been made to the machine without prior written approval and,
3. That the machine has been maintained, serviced and lubricated in accordance with our recommendations and,
4. That Thwaites Warranty Certificate and/or New Machine Delivery Report has been completed and received by Thwaites within one month of delivery to the user.
5. That Thwaites receive a correctly completed Warranty Claim form within thirty days of the failure occurring.
6. **UK**
That the alleged defective parts are returned to Thwaites within 6 weeks of date of failure.
7. **All other territories**
That unless otherwise instructed the alleged defective parts are to be stored for inspection for a 6 month period from date of failure.

We will examine the alleged defective part and if we are reasonably satisfied that any defect is solely due to bad workmanship or materials, we will at our cost and at our option either repair any defective part or supply a replacement part in full discharge of all obligations upon us.

This warranty does not, however, extend to reconditioned or second-hand machines. For the avoidance of doubt, we will not entertain any other claims of a direct or consequential nature of whatsoever description and our responsibility is limited to the above.

The above warranty shall in no way detract from your statutory rights

Warranty

It is important to use only genuine Thwaites Limited spare parts and to adhere strictly to the conditions of operation and maintenance laid down by Thwaites Limited.

Your warranty may be invalidated if you do not comply with the above recommendations.